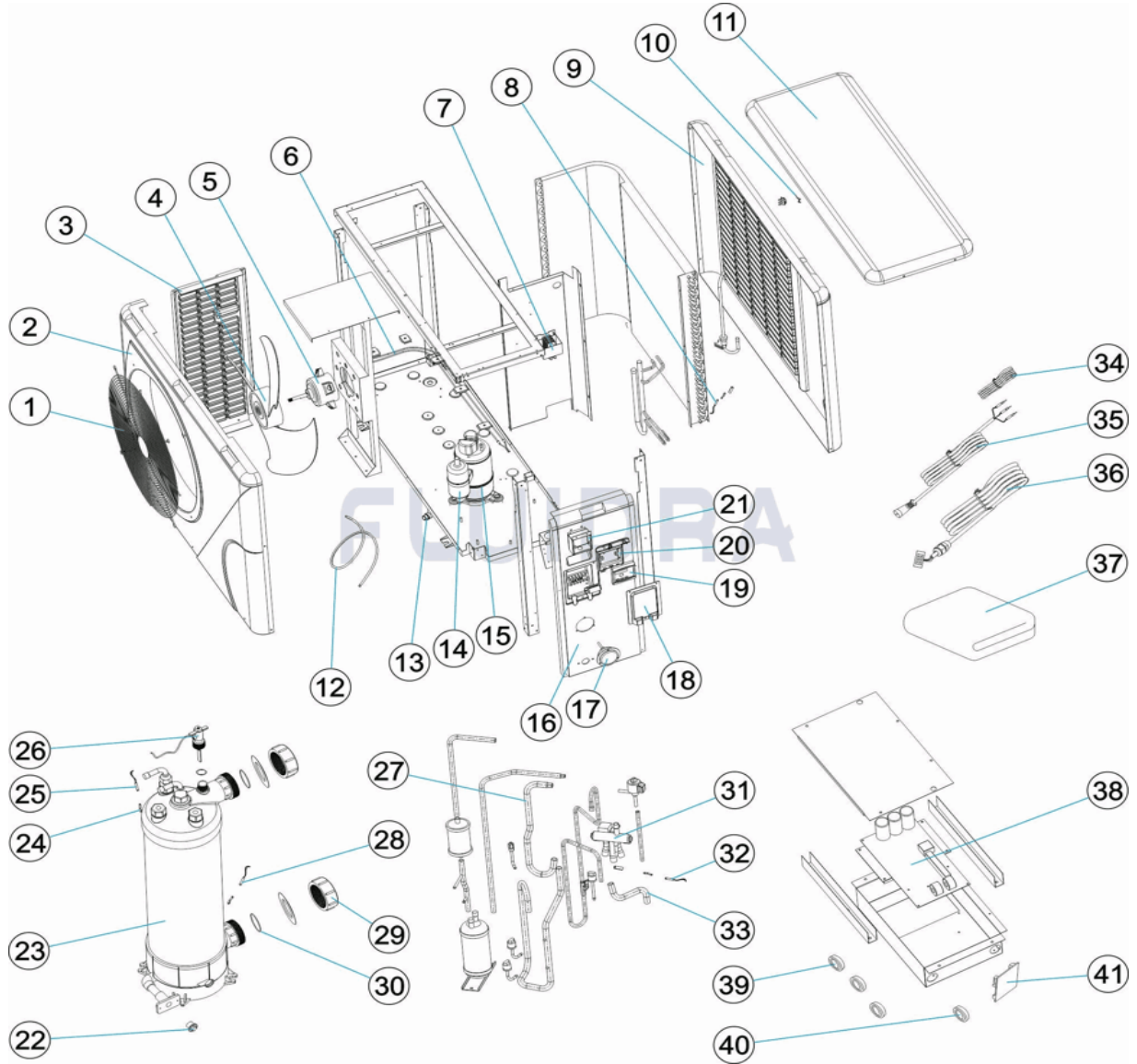


CODIGO 68818, 68819

DESCRIPCION: PRO ELYO INVERBOOST NN



ESPAÑOL

POS	CODIGO	DESCRIPCION	CANTIDAD	POS	CODIGO	DESCRIPCION	CANTIDAD
1	ZX108170017	REJILLA FRONTAL		16	ZX1332600041	PANEL DERECHO	
2	ZX1332600031	PANEL FRONTAL		17	66108R0016	MANOMETRO	
3	ZX1332600051	PANEL IZQUIERDO		18	ZX1332500051	CUBIERTA TERMINALES	
4	ZX132000023	ASPAS VENTILADOR		19	ZX117020150	CONTROLADOR	
5	ZX112000031	MOTOR VENTILADOR		20	ZX113712007	CAJA CONTROLADOR IMPERMEABLE	
6	ZX142000059	ABRAZADERA TERMOSTATO EVAPORADO		21	ZX108010018	CAJA DE CABLEADO	
7	ZX117230002	REACTOR		22	ZX150000110	TAPON PURGA	
8	ZX117110004	SENSOR TEMPERATURA TUBO		23	* ZX102040555	INTERCAMBIADOR DE TITANIO	
9	ZX1332600021	PANEL TRASERO		23	* ZX102040590	INTERCAMBIADOR DE TITANIO	
10	ZX117110020	SENSOR TEMPERATURA AMBIENTE		24	ZX108010025	CLIP SUJECION	
11	ZX1332600011	TAPA SUPERIOR		25	ZX117110011	SENSOR TEMPERATURA SALIDA AGUA	
12	ZX136010024	MANGUERA DE DRENAJE		26	ZX112100021-1	FLUJOSTATO	
13	ZX136010023	BOQUILLA DE AGUA		27	ZX113030093	VALVULA DE 4 VIAS TUBO INTERCAMBIAD	

CODIGO **68818, 68819**

DESCRIPCION: **PRO ELYO INVERBOOST NN**

14	ZX101000150	COMPRESOR	28	ZX117110012	SENSOR TEMPERATURA ENTRADA AGUA
15	ZX142000076	ABRAZADERA TERMOSTATO COMPRESOF	29	ZX113900082	KIT DE CONEXIÓN AGUA
30	ZX133020026	JUNTA TORICA	36	ZX117040012	CABLE DE CONEXIÓN 10M
31	ZX121000009	VALVULA DE 4 VIAS	37	ZX113300206	CUBIERTA DE INVIERNO
32	ZX117110021	SENSOR TEMPERATURA ESCAPE	38	ZX117100015	PLACA BASE PCB
33	ZX113060096	VALVULA DE 4 VIAS TUBO COLECTIVO	39	ZX117240002	ANILLO MAGNETICO
34	ZX117040019	0,8M CABLE CONEXIÓN	40	ZX117240003	ANILLO MAGNETICO
35	* ZX117040014	1M CABLE MODBUS	41	ZX117010095	MÓDULO MODBUS
35	* ZX117040015	10M CABLE MODBUS			

CODIGO 68818, 68819

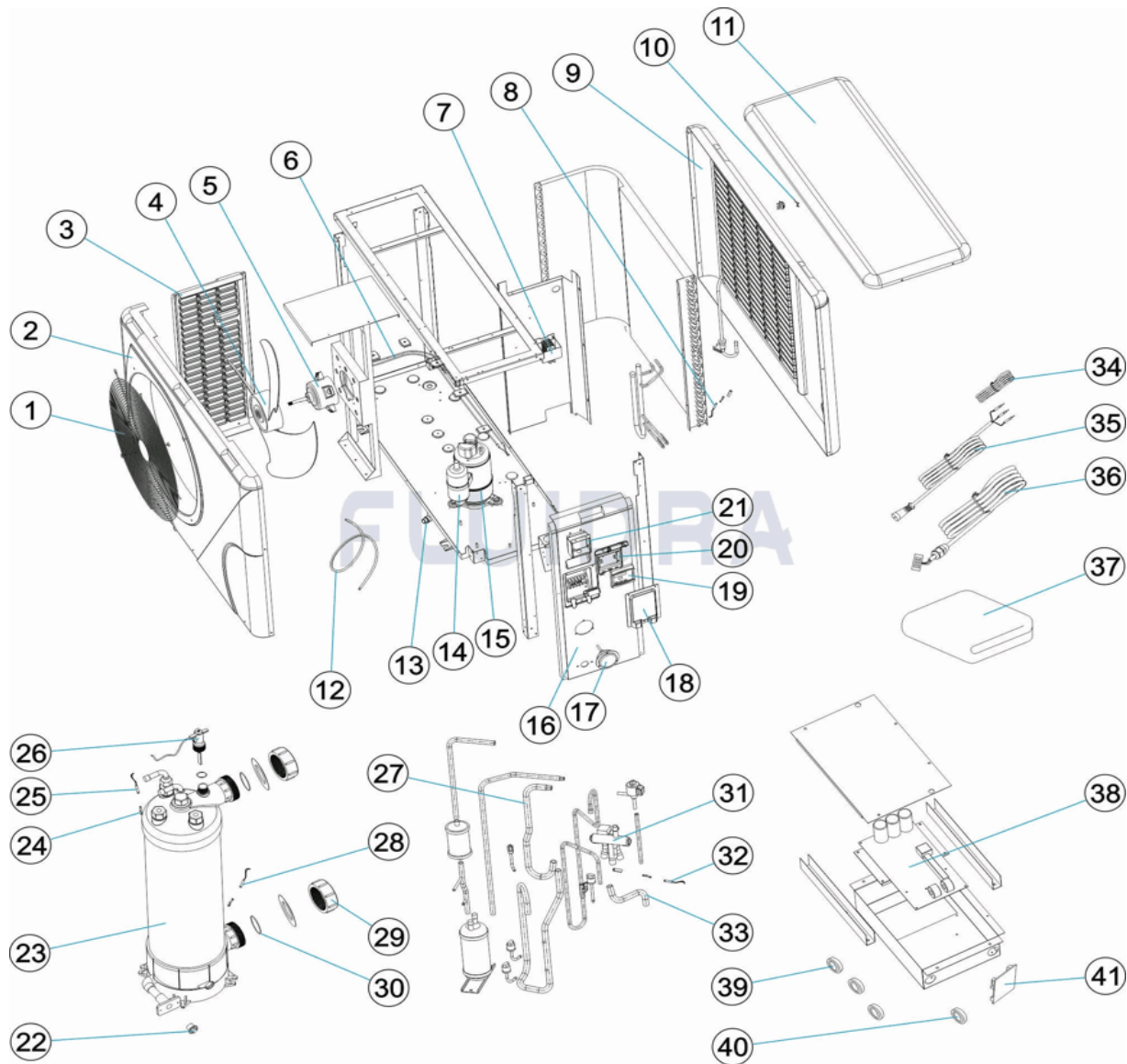
DESCRIPCION: PRO ELYO INVERBOOST NN

OBSERVACIONES

POS	CODIGO	OBSERVACIONES
23	* ZX102040555	PARA: 68818
23	* ZX102040590	PARA: 68819
35	* ZX117040014	PARA: 1 METRO / 1 METER
35	* ZX117040015	PARA: 10 METROS / 10 METERS

CODE 68818, 68819

DESCRIPTION: PRO ELYO INVERBOOST NN



FRANCAIS

POS	CODE	DESCRIPTION	QUANTITE	POS	CODE	DESCRIPTION	QUANTITE
1	ZX108170017	GRILLE FRONTALE		16	ZX1332600041	PANNEAU DROIT	
2	ZX1332600031	PANNEAU AVANT		17	66108R0016	MANOMETRE	
3	ZX1332600051	PANNEAU GAUCHE		18	ZX1332500051	COUVERCLE TERMINAL	
4	ZX132000023	PALES VENTILATEUR		19	ZX117020150	CONTRÔLEUR	
5	ZX112000031	MOTEUR VENTILATEUR		20	ZX113712007	BOÎTIER CONTRÔLEUR ÉTANCHE	
6	ZX142000059	COLLIER CHAUFFANTS ÉVAPORATEUR		21	ZX108010018	BOÎTE DE CÂBLAGE	
7	ZX117230002	RÉACTEUR		22	ZX150000110	BOUCHON PURGE	
8	ZX117110004	CAPTEUR TEMPÉRATURE TUYAU		23	* ZX102040555	ÉCHANGEUR EN TITANE	
9	ZX1332600021	PANNEAU ARRIÈRE		23	* ZX102040590	ÉCHANGEUR EN TITANE	
10	ZX117110020	CAPTEUR TEMPÉRATURE AMBIANT		24	ZX108010025	CLIP FIXATION	
11	ZX1332600011	COUVERCLE SUPÉRIEUR		25	ZX117110011	CAPTEUR TEMPÉRATURE EAU SORTIE	
12	ZX136010024	TUYAU DE DRAINAGE		26	ZX112100021-1	CONTROLEUR DE DEBIT	
13	ZX136010023	BUSE D'EAU		27	ZX113030093	VANNE 4 VOIES TUBE ÉCHANGEUR	

* VOIR FICHE D'OBSERVATIONS

CODE **68818, 68819**

DESCRIPTION: **PRO ELYO INVERBOOST NN**

14	ZX101000150	COMPRESSEUR	28	ZX117110012	CAPTEUR TEMPÉRATURE ARRIVÉE D'EAU
15	ZX142000076	COLLIER CHAUFFANTS COMPRESSEUR	29	ZX113900082	ENSEMBLES CONNEXION D'EAU
30	ZX133020026	JOINT TORIQUE	36	ZX117040012	FIL DE CONNEXION 10M
31	ZX121000009	VANNE 4 VOIES	37	ZX113300206	COUVERTURE D"HIVERNAGE
32	ZX117110021	CAPTEUR TEMPÉRATURE EAU SORTIE	38	ZX117100015	PLAQUE BASE PCB
33	ZX113060096	VANNE 4 VOIES TUBE COLLECTIF	39	ZX117240002	BAGUE D'AIMANT
34	ZX117040019	0,8M CABLE BRANCHEMENT	40	ZX117240003	BAGUE D'AIMANT
35	* ZX117040014	1M CABLE MODBUS	41	ZX117010095	MODULE MODBUS
35	* ZX117040015	10M CABLE MODBUS			

CODE **68818, 68819**

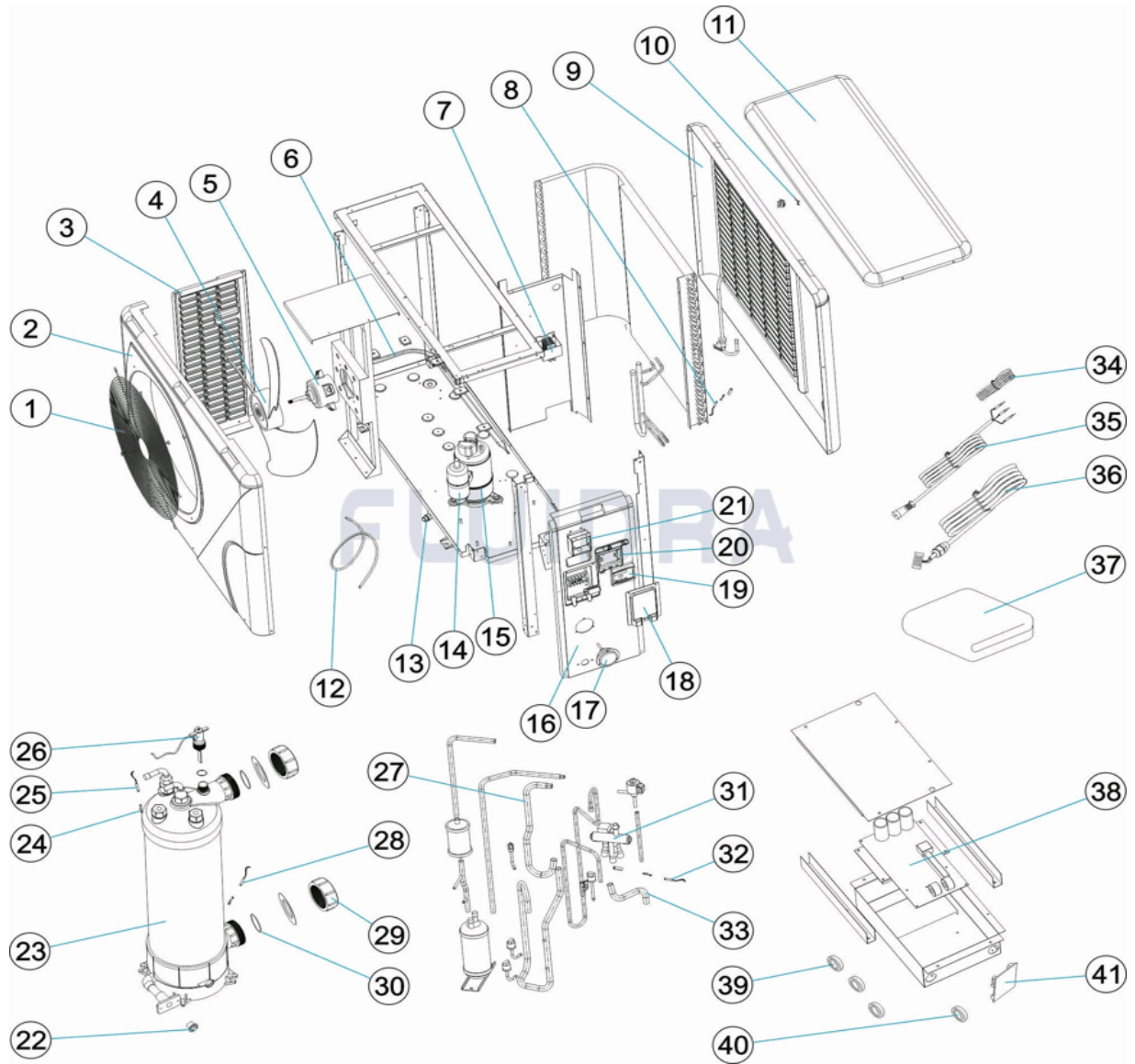
DESCRIPTION: **PRO ELYO INVERBOOST NN**

OBSERVATIONS

POS	CODE	OBSERVATIONS
23	* ZX102040555	POUR: 68818
23	* ZX102040590	POUR: 68819
35	* ZX117040014	POUR: 1 METRO / 1 METER
35	* ZX117040015	POUR: 10 METROS / 10 METERS

CODE 68818, 68819

DESCRIPTION: PRO ELYO INVERBOOST NN



ENGLISH

POS	CODE	DESCRIPTION	QUANTITY	POS	CODE	DESCRIPTION	QUANTITY
1	ZX108170017	FRONT GRILL		16	ZX1332600041	RIGHT SIDE PANEL	
2	ZX1332600031	FRONT PANEL		17	66108R0016	PRESSURE GAUGE	
3	ZX1332600051	LEFT SIDE PANEL		18	ZX1332500051	TERMINAL BLOCKS PLASTIC COVER	
4	ZX132000023	FAN BLADE		19	ZX117020150	CONTROLLER	
5	ZX112000031	FAN MOTOR		20	ZX113712007	WATERPROOF CONTROLLER BOX	
6	ZX142000059	EVAPORATOR HEATING BELT		21	ZX108010018	WIRING BOX	
7	ZX117230002	REACTOR		22	ZX150000110	DRAIN PLUG	
8	ZX117110004	HEATING PIPE TEMPERATURE SENSOR		23	* ZX102040555	TITANIUM HEAT EXCHANGER	
9	ZX1332600021	BACK PANEL		23	* ZX102040590	TITANIUM HEAT EXCHANGER	
10	ZX117110020	AMBIENT TEMPERATURE SENSOR		24	ZX108010025	CLIP	
11	ZX1332600011	TOP COVER		25	ZX117110011	HEATING PIPE TEMPERATURE SENSOR	
12	ZX136010024	DRAIN HOSE		26	ZX112100021-1	WATER FLOW SWITCH	
13	ZX136010023	WATER NOZZLE		27	ZX113030093	4-WAY VALVE HEAT EXCHANGER TUBE	

* SEE OBSERVATIONS SHEET

CODE **68818, 68819**

DESCRIPTION: **PRO ELYO INVERBOOST NN**

14	ZX101000150	COMPRESSOR	28	ZX117110012	WATER INLET TEMPERATURE SENSOR
15	ZX142000076	COMPRESSOR HEATING BELT	29	ZX113900082	WATER CONNECTION SETS
30	ZX133020026	O' RING	36	ZX117040012	10M CONNECTION WIRE BETWEEN THE
31	ZX121000009	4-WAY VALVE	37	ZX113300206	WINTER COVER
32	ZX117110021	EXHAUST TEMPERATURE SENSOR	38	ZX117100015	PC BOARD
33	ZX113060096	4-WAY VALVE HEAT COLLECTIVE TUBE	39	ZX117240002	MAGNET RING
34	ZX117040019	0,8M CONNEXION CABLE	40	ZX117240003	MAGNET RING
35	* ZX117040014	1M MODBUS CABLE	41	ZX117010095	MODBUS MODULE
35	* ZX117040015	10M MODBUS CABLE			

CODE **68818, 68819**

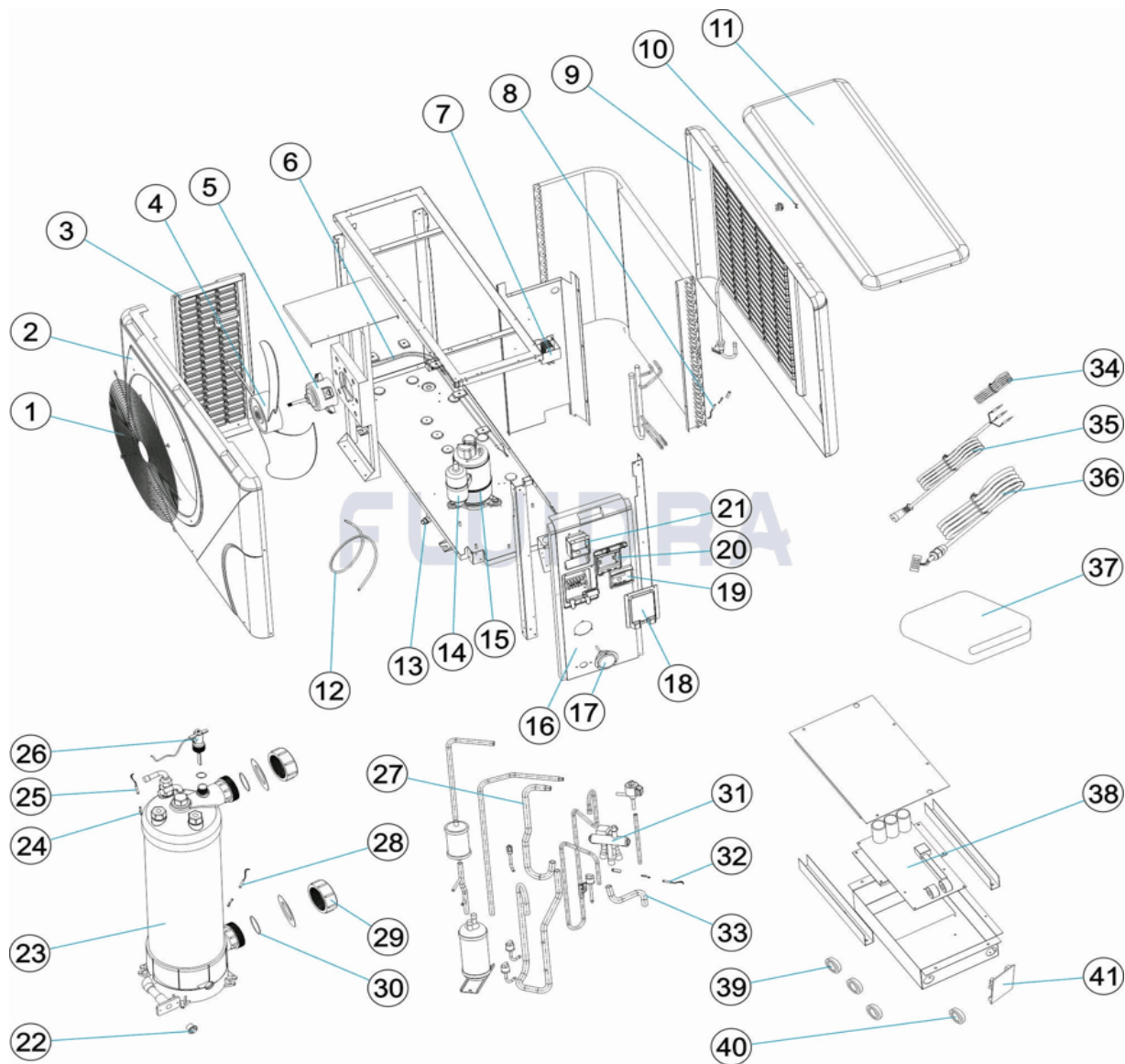
DESCRIPTION: **PRO ELYO INVERBOOST NN**

OBSERVATIONS

POS	CODE	OBSERVATIONS
23	* ZX102040555	FOR: 68818
23	* ZX102040590	FOR: 68819
35	* ZX117040014	FOR: 1 METRO / 1 METER
35	* ZX117040015	FOR: 10 METROS / 10 METERS

CODICE 68818, 68819

DESCRIZIONE: PRO ELYO INVERBOOST NN



ITALIANO

POS	CODICE	DESCRIZIONE	QUANTITA'	POS	CODICE	DESCRIZIONE	QUANTITA'
1	ZX108170017	GRIGLIA FRONTALE		16	ZX1332600041	PANNELLO DESTRO	
2	ZX1332600031	PANNELLO FRONTALE		17	66108R0016	MANOMETRO	
3	ZX1332600051	PANNELLO SINISTRO		18	ZX1332500051	COPERCHIO TERMINALE	
4	ZX132000023	PALE VENTILATORE		19	ZX117020150	CONTROLLATORE	
5	ZX112000031	MOTORE VENTOLA		20	ZX113712007	SCATOLA CONTROLLO IMPERMEABILE	
6	ZX142000059	CINTURA DI RISCALDAMENTO EVAPORATI		21	ZX108010018	SCATOLA DI CABLAGGIO	
7	ZX117230002	REATTORE		22	ZX150000110	TAPPO SPURGO	
8	ZX117110004	SENSORE TEMPERATURA TUBO		23	* ZX102040555	INTERCAMBIATORE IN TITANIO	
9	ZX1332600021	PANNELLO INDIETRO		23	* ZX102040590	INTERCAMBIATORE IN TITANIO	
10	ZX117110020	SENSORE TEMPERATURA AMBIENTE		24	ZX108010025	CLIP ATTACCO	
11	ZX1332600011	COPERCHIO SUPERIORE		25	ZX117110011	SENSORE TEMPERATURA USCITA ACQUA	
12	ZX136010024	TUBO DI SCARICO		26	ZX112100021-1	FLUSSOSTATO	
13	ZX136010023	UGELLO DELL'ACQUA		27	ZX113030093	VALVOLA A 4 VIE TUBO INTERCAMBIATORE	

* SI FACCIA RIFERIMENTO AL FOGLIO DELLE OSSERVAZIONI

CODICE **68818, 68819**

DESCRIZIONE: **PRO ELYO INVERBOOST NN**

14	ZX101000150	COMPRESSORE	28	ZX117110012	SENSORE TEMPERATURA INGRESSO ACQ
15	ZX142000076	CINTURA DI RISCALDAMENTO COMPRESSE	29	ZX113900082	SET CONNESSIONE DELL'ACQUA
30	ZX133020026	O-RING	36	ZX117040012	FILO DI COLLEGAMENTO 10M
31	ZX121000009	VALVOLA A 4 VIE	37	ZX113300206	COPERTA DI INVERNO
32	ZX117110021	SENSORE TEMPERATURA SCARICO	38	ZX117100015	SCHEDA BASE PCB
33	ZX113060096	VALVOLA A 4 VIE TUBO COLLETTIVO	39	ZX117240002	ANELLO MAGNETICO
34	ZX117040019	0,8M CAVO COLLEGAMENTO	40	ZX117240003	ANELLO MAGNETICO
35	* ZX117040014	1M CAVO MODBUS	41	ZX117010095	MODULO MODBUS
35	* ZX117040015	10M CAVO MODBUS			

CODICE 68818, 68819

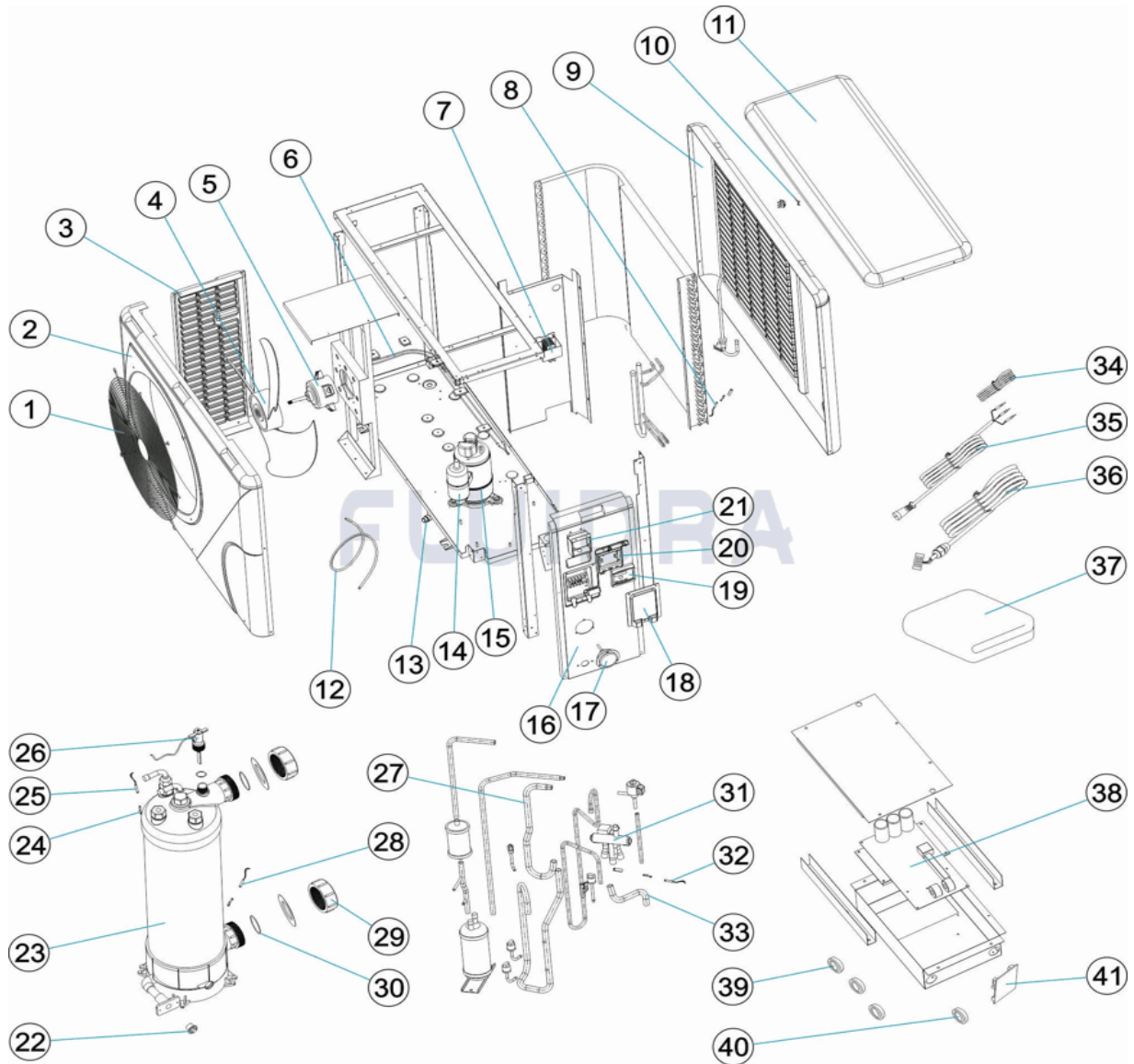
DESCRIZIONE: PRO ELYO INVERBOOST NN

OSSERVAZIONI

POS	CODICE	OSSERVAZIONI
23	* ZX102040555	PER: 68818
23	* ZX102040590	PER: 68819
35	* ZX117040014	PER: 1 METRO / 1 METER
35	* ZX117040015	PER: 10 METROS / 10 METERS

CODE **68818, 68819**

BESCHREIBUNG: **PRO ELYO INVERBOOST NN**



DEUTSCH

POS	CODE	BESCHREIBUNG	MENGE	POS	CODE	BESCHREIBUNG	MENGE
1	ZX108170017	FRONTGITTER		16	ZX1332600041	RECHTENPLATTE	
2	ZX1332600031	FRONTPLATTE		17	66108R0016	MANOMETER	
3	ZX1332600051	LINKENPLATTE		18	ZX1332500051	ANSCHLUSSABDECKUNG	
4	ZX132000023	ROTORBLÄTTER VENTILATOR		19	ZX117020150	STEUERUNG	
5	ZX112000031	LÜFTERMOTOR		20	ZX113712007	WASSERDICHTER STEUERUNGSBOX	
6	ZX142000059	EVAPORATOR HEIZBAND		21	ZX108010018	WIRING BOX	
7	ZX117230002	REAKTOR		22	ZX150000110	ABLASSSTOPFEN	
8	ZX117110004	ROHR TEMPERATURFÜHLER		23	* ZX102040555	WÄRMEÜBERTRAGER TITANIUM	
9	ZX1332600021	FÜHRERHAUSRÜCKWAND		23	* ZX102040590	WÄRMEÜBERTRAGER TITANIUM	
10	ZX117110020	UMGEBUNGS TEMPERATURFÜHLER		24	ZX108010025	HALTECLIP	
11	ZX1332600011	ABDECKUNG OBEN		25	ZX117110011	WASSERABFLUSS TEMPERATURFÜHLER	
12	ZX136010024	ABFLUSSSCHLAUCH		26	ZX112100021-1	DURCHFLUSSMESSER	
13	ZX136010023	WASSERDÜSE		27	ZX113030093	4-WEGE-VENTIL WÄRMEÜBERTRAGE ROH	

* SIEHE ANMERKUNGSBLATT

CODE **68818, 68819**

BESCHREIBUNG: **PRO ELYO INVERBOOST NN**

14	ZX101000150	KOMPRESSOR	28	ZX117110012	WASSERZUFLUSS TEMPERATURFÜHLER
15	ZX142000076	KOMPRESSOR HEIZBAND	29	ZX113900082	WASSERANSCHLUSS SET
30	ZX133020026	O-RING	36	ZX117040012	10M VERBINDUNGSDRAHT
31	ZX121000009	4-WEGE-VENTIL	37	ZX113300206	WINTERDECKEL
32	ZX117110021	AUSPUFF TEMPERATURFÜHLER	38	ZX117100015	BASISPLATTE PCB
33	ZX113060096	4-WEGE-VENTIL SAMMLUNG ROHR	39	ZX117240002	MAGNET-RING
34	ZX117040019	0,8M ANSCHLUSSKABEL	40	ZX117240003	MAGNET-RING
35	* ZX117040014	1M MODBUS-KABEL	41	ZX117010095	MODBUS-MODUL
35	* ZX117040015	10M MODBUS-KABEL			

CODE **68818, 68819**

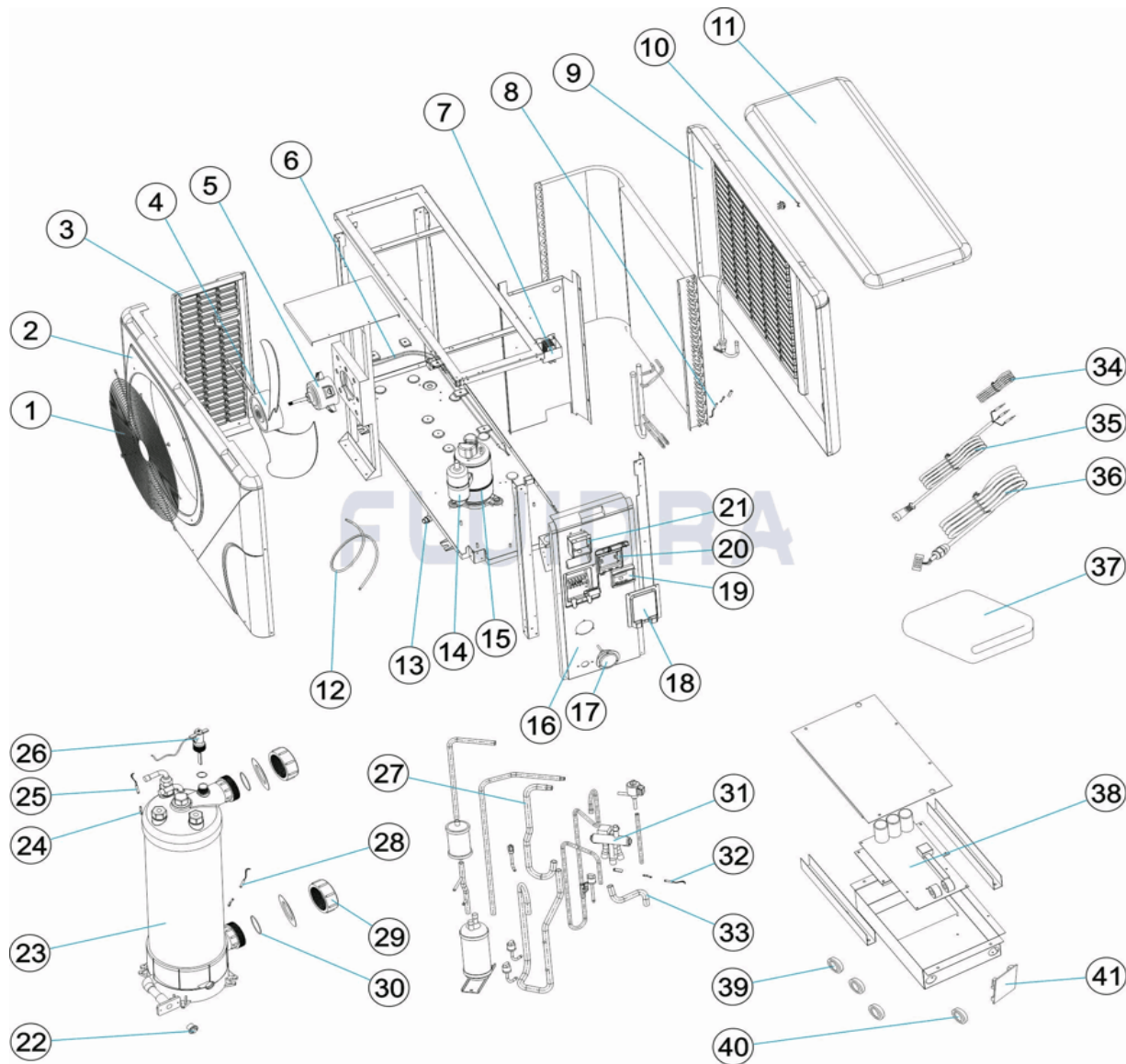
BESCHREIBUNG: **PRO ELYO INVERBOOST NN**

HINWEISE

POS	CODE	HINWEISE
23	* ZX102040555	FÜR: 68818
23	* ZX102040590	FÜR: 68819
35	* ZX117040014	FÜR: 1 METRO / 1 METER
35	* ZX117040015	FÜR: 10 METROS / 10 METERS

CODIGO **68818, 68819**

DESCRICÃO: **PRO ELYO INVERBOOST NN**



PORTUGUES

POS	CODIGO	DESCRICÃO	JANTIDADE	POS	CODIGO	DESCRICÃO	JANTIDADE
1	ZX108170017	GRELHA FRONTAL		16	ZX1332600041	PAINEL DIREITO	
2	ZX1332600031	PAINEL FRONTAL		17	66108R0016	MANOMETRO	
3	ZX1332600051	PAINEL ESQUERDO		18	ZX1332500051	COBERTURA TERMINAL	
4	ZX132000023	PÁS VENTILADOR		19	ZX117020150	CONTROLADOR	
5	ZX112000031	MOTOR VENTILADOR		20	ZX113712007	CAIXA DE CONTROLE IMPERMEÁVEL	
6	ZX142000059	CORREIA DE AQUECIMENTO EVAPORADO		21	ZX108010018	CAIXA DE LIGAÇÕES	
7	ZX117230002	REACTOR		22	ZX150000110	TAMPÃO PURGA	
8	ZX117110004	SENSOR TEMPERATURA TUBO		23	* ZX102040555	PERMUTADOR DE TITÂNIO	
9	ZX1332600021	PAINEL TRASEIRO		23	* ZX102040590	PERMUTADOR DE TITÂNIO	
10	ZX117110020	SENSOR TEMPERATURA AMBIENTE		24	ZX108010025	CLIQUE FIXAÇÃO	
11	ZX1332600011	TAMPA SUPERIOR		25	ZX117110011	SENSOR TEMPERATURA SAÍDA ÁGUA	
12	ZX136010024	MANGUEIRA DE DRENAGEM		26	ZX112100021-1	FLUXO-ESTATO	
13	ZX136010023	BOCAL DE ÁGUA		27	ZX113030093	VÁLVULA DE 4 VIAS TUBO PERMUTADOR	

*** VEJA A FICHA DE OBSERVAÇÕES**

CODIGO **68818, 68819**

DESCRIÇÃO: **PRO ELYO INVERBOOST NN**

14	ZX101000150	COMPRESSOR	28	ZX117110012	SENSOR TEMPERATURA ENTRADA ÁGUA
15	ZX142000076	CORREIA DE AQUECIMENTO COMPRESSC	29	ZX113900082	CONJECTIVOS CONEXÃO DE ÁGUA
30	ZX133020026	JUNTA TÓRICA	36	ZX117040012	FIO DE CONEXÃO 10M
31	ZX121000009	VÁLVULA DE 4 VIAS	37	ZX113300206	COBERTURA DE INVERNO
32	ZX117110021	SENSOR TEMPERATURA ESCAPE	38	ZX117100015	PLACA BASE PCB
33	ZX113060096	VÁLVULA DE 4 VIAS TUBO COLETIVO	39	ZX117240002	ANEL DE ÍNDIA
34	ZX117040019	0,8M CABO LIGAÇÃO	40	ZX117240003	ANEL DE ÍNDIA
35	* ZX117040014	1M CABO MODBUS	41	ZX117010095	MÓDULO MODBUS
35	* ZX117040015	10M CABO MODBUS			

CODIGO 68818, 68819

DESCRIÇÃO: PRO ELYO INVERBOOST NN

OBSERVACÕES

POS	CODIGO	OBSERVACÕES
23	* ZX102040555	PARA: 68818
23	* ZX102040590	PARA: 68819
35	* ZX117040014	PARA: 1 METRO / 1 METER
35	* ZX117040015	PARA: 10 METROS / 10 METERS