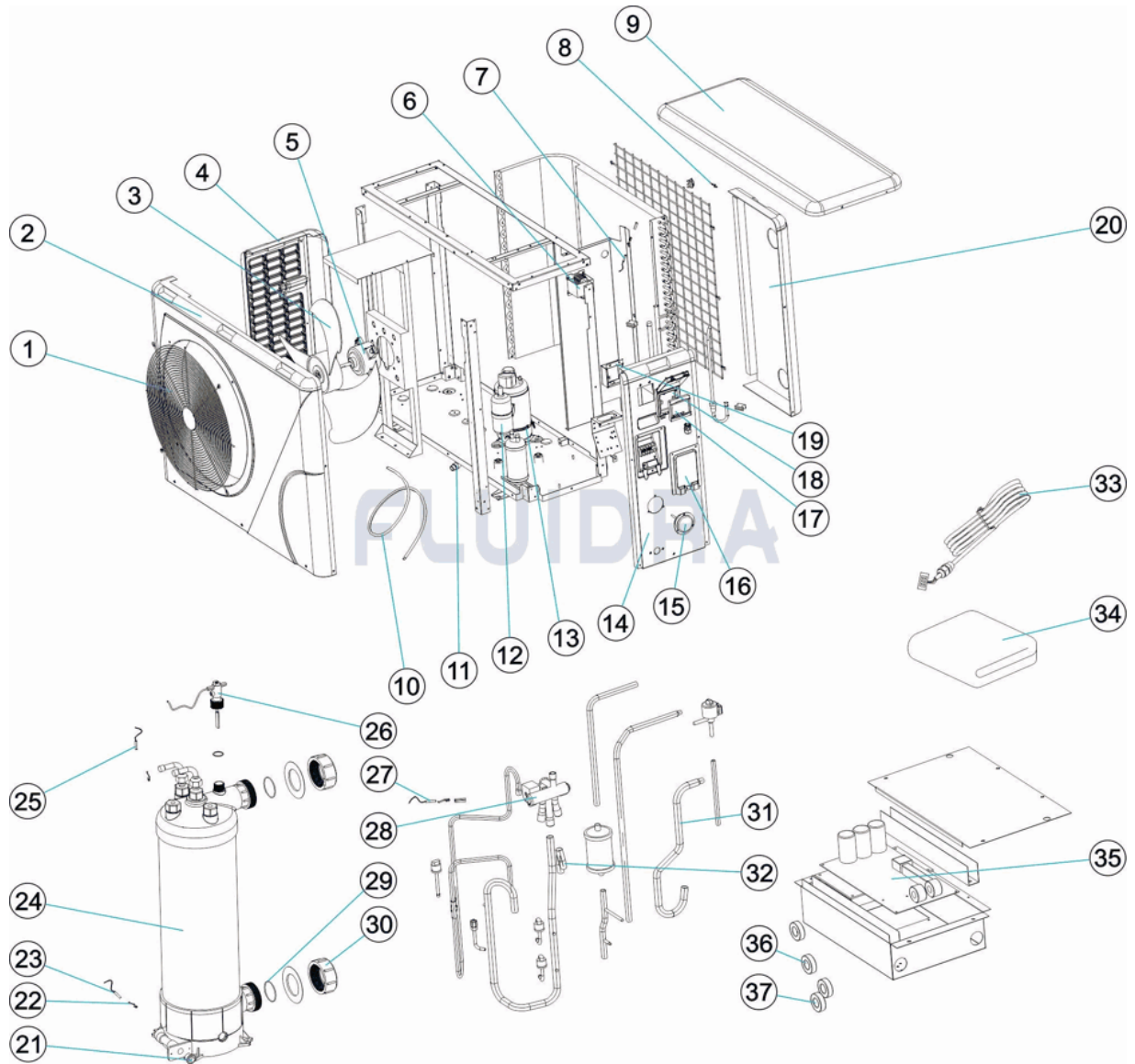


CODIGO **68763, 68764**

DESCRIPCION: **PRO ELYO INVERBOOST**



**ESPAÑOL**

POS	CODIGO	DESCRIPCION	CANTIDAD	POS	CODIGO	DESCRIPCION	CANTIDAD
1	ZX108170017	REJILLA FRONTAL		16	ZX1332500051	CUBIERTA TERMINALES	
2	ZX1332600031	PANEL FRONTAL		17	* 68761R0001	CONTROLADOR	
3	ZX132000023	ASPAS VENTILADOR		17	* 68761R0001	CONTROLADOR	
4	ZX1332600051	PANEL IZQUIERDO		17	ZX117020125	CONTROLADOR	
5	ZX112000031	MOTOR VENTILADOR		18	ZX113712007	CAJA CONTROLADOR IMPERMEABLE	
6	ZX117230002	REACTOR		19	ZX108010018	CAJA DE CABLEADO	
7	ZX117110004	SENSOR TEMPERATURA TUBO		20	ZX1332600021	PANEL TRASERO	
8	ZX117110020	SENSOR TEMPERATURA AMBIENTE		21	ZX102040501	INTERCAMBIADOR DE TITANIO	
9	ZX1332600011	TAPA SUPERIOR		22	ZX108010025	CLIP SUJECION	
10	ZX136010024	MANGUERA DE DRENAJE		23	ZX117110012	SENSOR TEMPERATURA ENTRADA AGUA	
11	ZX136010023	BOQUILLA DE AGUA		24	* ZX102040555	INTERCAMBIADOR DE TITANIO	
12	ZX101000150	COMPRESOR		24	* ZX102040590	INTERCAMBIADOR DE TITANIO	
13	ZX142000076	ABRAZADERA TERMOSTATO COMPRESOF		25	ZX117110011	SENSOR TEMPERATURA SALIDA AGUA	

CODIGO **68763, 68764**

DESCRIPCION: **PRO ELYO INVERBOOST**

14	ZX1332600041	PANEL DERECHO	26	ZX112100021-1	FLUJOSTATO
15	66108R0016	MANOMETRO	27	ZX117110021	SENSOR TEMPERATURA ESCAPE
28	ZX121000009	VALVULA DE 4 VIAS	33	ZX117040012	CABLE DE CONEXIÓN 10M
29	ZX133020026	JUNTA TORICA	34	ZX113300206	CUBIERTA DE INVIERNO
30	ZX113900082	KIT DE CONEXIÓN AGUA	35	ZX117100015	PLACA BASE PCB
31	ZX113030093	VALVULA DE 4 VIAS TUBO INTERCAMBIAD	36	ZX117240002	ANILLO MAGNETICO
32	ZX113060096	VALVULA DE 4 VIAS TUBO COLECTIVO	37	ZX117240003	ANILLO MAGNETICO

**CODIGO 68763, 68764**

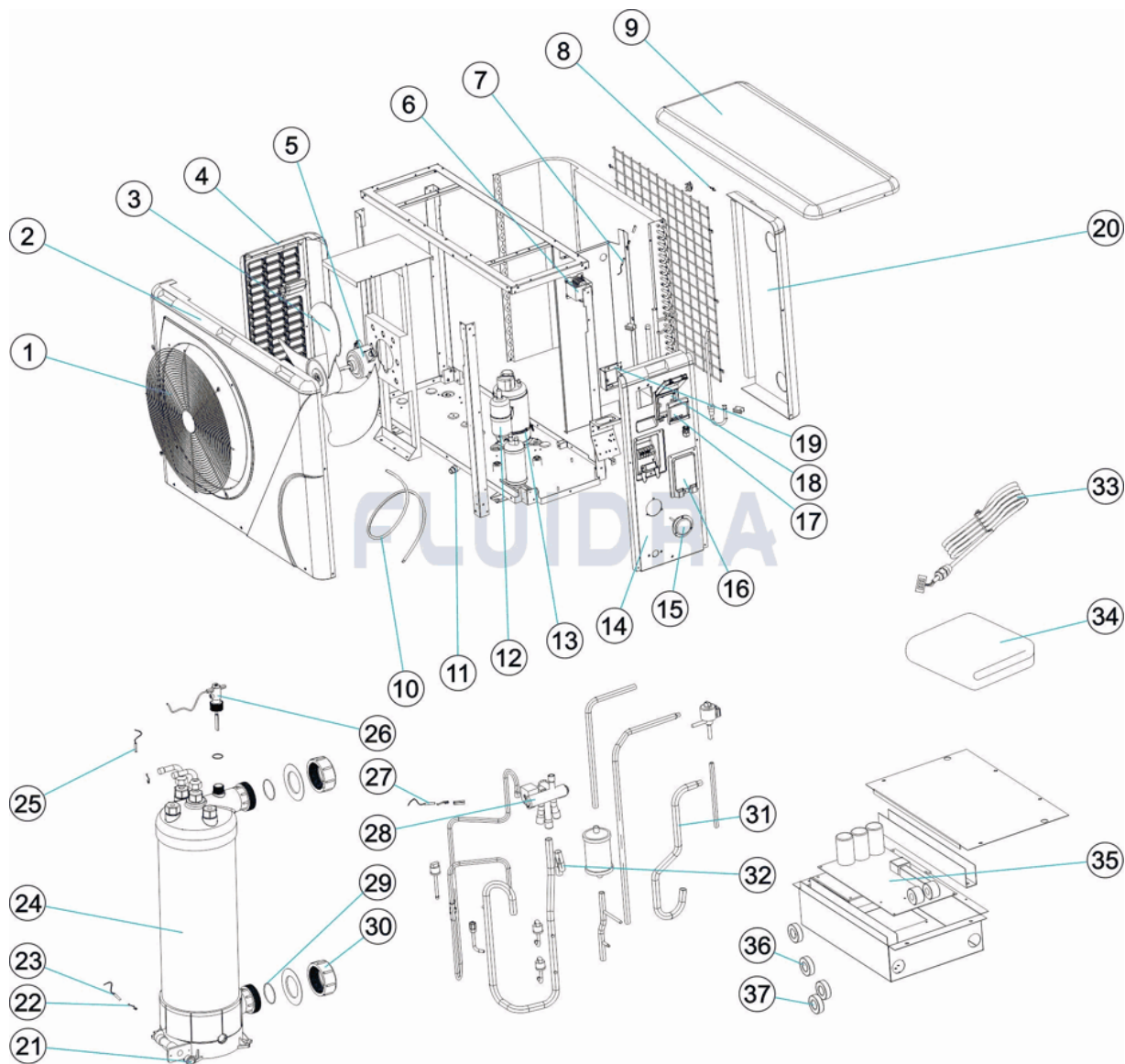
**DESCRIPCION: PRO ELYO INVERBOOST**

**OBSERVACIONES**

POS	CODIGO	OBSERVACIONES
17	* 68761R0001	PARA: 68763 N° SERIE 0170ID42H317071001 HASTA 0170ID42H317071010 / SERIAL N° 0170ID42H317071001 UNTIL 0170ID42H317071010
17	* 68761R0001	PARA: 68764 N° SERIE 0210ID42H116071001 HASTA 0210ID42H116071022 Y 0210ID42H317071001 HASTA 0210ID42H317071008 / SERIAL N° 0210ID42H116071001 UNTIL 0210ID42H116071022 AND 0210ID42H317071001 UNTIL 0210ID42H317071008
24	* ZX102040555	PARA: 68763
24	* ZX102040590	PARA: 68764

CODE 68763, 68764

DESCRIPTION: PRO ELYO INVERBOOST



FRANCAIS

POS	CODE	DESCRIPTION	QUANTITE	POS	CODE	DESCRIPTION	QUANTITE
1	ZX108170017	GRILLE FRONTALE		16	ZX1332500051	COUVERCLE TERMINAL	
2	ZX1332600031	PANNEAU AVANT		17	* 68761R0001	CONTRÔLEUR	
3	ZX132000023	PALES VENTILATEUR		17	* 68761R0001	CONTRÔLEUR	
4	ZX1332600051	PANNEAU GAUCHE		17	ZX117020125	CONTRÔLEUR	
5	ZX112000031	MOTEUR VENTILATEUR		18	ZX113712007	BOÎTIER CONTRÔLEUR ÉTANCHE	
6	ZX117230002	RÉACTEUR		19	ZX108010018	BOÎTE DE CÂBLAGE	
7	ZX117110004	CAPTEUR TEMPÉRATURE TUYAU		20	ZX1332600021	PANNEAU ARRIÈRE	
8	ZX117110020	CAPTEUR TEMPÉRATURE AMBIANT		21	ZX102040501	ÉCHANGEUR EN TITANE	
9	ZX1332600011	COUVERCLE SUPÉRIEUR		22	ZX108010025	CLIP FIXATION	
10	ZX136010024	TUYAU DE DRAINAGE		23	ZX117110012	CAPTEUR TEMPÉRATURE ARRIVÉE D'EAU	
11	ZX136010023	BUSE D'EAU		24	* ZX102040555	ÉCHANGEUR EN TITANE	
12	ZX101000150	COMPRESSEUR		24	* ZX102040590	ÉCHANGEUR EN TITANE	
13	ZX142000076	COLLIER CHAUFFANTS COMPRESSEUR		25	ZX117110011	CAPTEUR TEMPÉRATURE EAU SORTIE	

\* VOIR FICHE D'OBSERVATIONS

CODE **68763, 68764**

DESCRIPTION: **PRO ELYO INVERBOOST**

14	ZX1332600041	PANNEAU DROIT	26	ZX112100021-1	CONTROLEUR DE DEBIT
15	66108R0016	MANOMETRE	27	ZX117110021	CAPTEUR TEMPÉRATURE EAU SORTIE
28	ZX121000009	VANNE 4 VOIES	33	ZX117040012	FIL DE CONNEXION 10M
29	ZX133020026	JOINT TORIQUE	34	ZX113300206	COUVERTURE D"HIVERNAGE
30	ZX113900082	ENSEMBLES CONNEXION D'EAU	35	ZX117100015	PLAQUE BASE PCB
31	ZX113030093	VANNE 4 VOIES TUBE ÉCHANGEUR	36	ZX117240002	BAGUE D'AIMANT
32	ZX113060096	VANNE 4 VOIES TUBE COLLECTIF	37	ZX117240003	BAGUE D'AIMANT

CODE **68763, 68764**

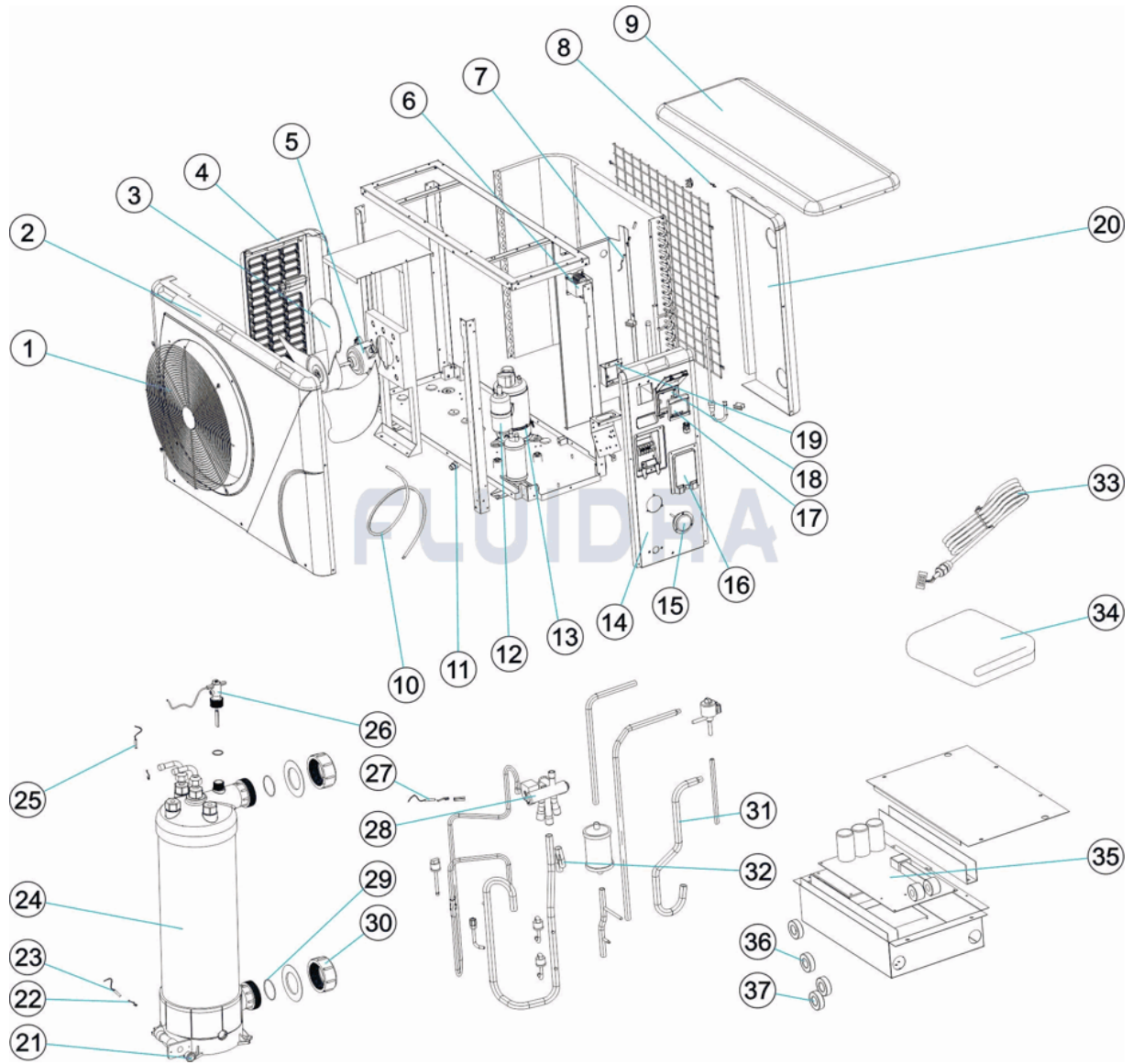
DESCRIPTION: **PRO ELYO INVERBOOST**

**OBSERVATIONS**

POS	CODE	OBSERVATIONS
17	* 68761R0001	POUR: 68763 N° SERIE 0170ID42H317071001 HASTA 0170ID42H317071010 / SERIAL N° 0170ID42H317071001 UNTIL 0170ID42H317071010
17	* 68761R0001	POUR: 68764 N° SERIE 0210ID42H116071001 HASTA 0210ID42H116071022 Y 0210ID42H317071001 HASTA 0210ID42H317071008 / SERIAL N° 0210ID42H116071001 UNTIL 0210ID42H116071022 AND 0210ID42H317071001 UNTIL 0210ID42H317071008
24	* ZX102040555	POUR: 68763
24	* ZX102040590	POUR: 68764

CODE **68763, 68764**

DESCRIPTION: **PRO ELYO INVERBOOST**



**ENGLISH**

POS	CODE	DESCRIPTION	QUANTITY	POS	CODE	DESCRIPTION	QUANTITY
1	ZX108170017	FRONT GRILL		16	ZX1332500051	TERMINAL BLOCKS PLASTIC COVER	
2	ZX1332600031	FRONT PANEL		17	* 68761R0001	CONTROLLER	
3	ZX132000023	FAN BLADE		17	* 68761R0001	CONTROLLER	
4	ZX1332600051	LEFT SIDE PANEL		17	ZX117020125	CONTROLLER	
5	ZX112000031	FAN MOTOR		18	ZX113712007	WATERPROOF CONTROLLER BOX	
6	ZX117230002	REACTOR		19	ZX108010018	WIRING BOX	
7	ZX117110004	HEATING PIPE TEMPERATURE SENSOR		20	ZX1332600021	BACK PANEL	
8	ZX117110020	AMBIENT TEMPERATURE SENSOR		21	ZX102040501	TITANIUM HEAT EXCHANGER	
9	ZX1332600011	TOP COVER		22	ZX108010025	CLIP	
10	ZX136010024	DRAIN HOSE		23	ZX117110012	WATER INLET TEMPERATURE SENSOR	
11	ZX136010023	WATER NOZZLE		24	* ZX102040555	TITANIUM HEAT EXCHANGER	
12	ZX101000150	COMPRESSOR		24	* ZX102040590	TITANIUM HEAT EXCHANGER	
13	ZX142000076	COMPRESSOR HEATING BELT		25	ZX117110011	HEATING PIPE TEMPERATURE SENSOR	

**\* SEE OBSERVATIONS SHEET**

CODE **68763, 68764**

DESCRIPTION: **PRO ELYO INVERBOOST**

14	ZX1332600041	RIGHT SIDE PANEL	26	ZX112100021-1	WATER FLOW SWITCH
15	66108R0016	PRESSURE GAUGE	27	ZX117110021	EXHAUST TEMPERATURE SENSOR
28	ZX121000009	4-WAY VALVE	33	ZX117040012	10M CONNECTION WIRE BETWEEN THE
29	ZX133020026	O' RING	34	ZX113300206	WINTER COVER
30	ZX113900082	WATER CONNECTION SETS	35	ZX117100015	PC BOARD
31	ZX113030093	4-WAY VALVE HEAT EXCHANGER TUBE	36	ZX117240002	MAGNET RING
32	ZX113060096	4-WAY VALVE HEAT COLLECTIVE TUBE	37	ZX117240003	MAGNET RING



CODE **68763, 68764**

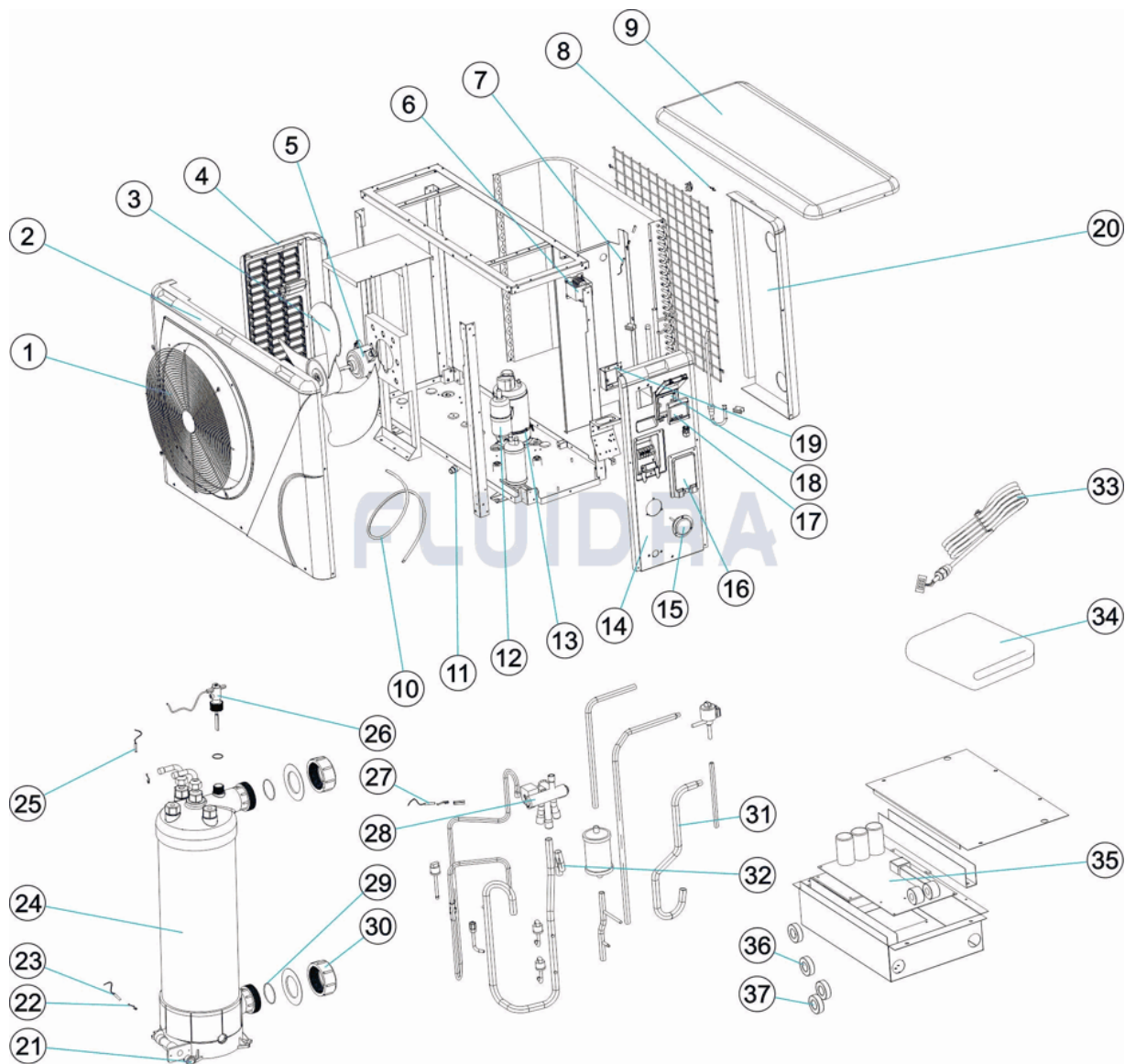
DESCRIPTION: **PRO ELYO INVERBOOST**

**OBSERVATIONS**

POS	CODE	OBSERVATIONS
17	* 68761R0001	FOR: 68763 N° SERIE 0170ID42H317071001 HASTA 0170ID42H317071010 / SERIAL N° 0170ID42H317071001 UNTIL 0170ID42H317071010
17	* 68761R0001	FOR: 68764 N° SERIE 0210ID42H116071001 HASTA 0210ID42H116071022 Y 0210ID42H317071001 HASTA 0210ID42H317071008 / SERIAL N° 0210ID42H116071001 UNTIL 0210ID42H116071022 AND 0210ID42H317071001 UNTIL 0210ID42H317071008
24	* ZX102040555	FOR: 68763
24	* ZX102040590	FOR: 68764

CODICE **68763, 68764**

DESCRIZIONE: **PRO ELYO INVERBOOST**



**ITALIANO**

POS	CODICE	DESCRIZIONE	QUANTITA'	POS	CODICE	DESCRIZIONE	QUANTITA'
1	ZX108170017	GRIGLIA FRONTALE		16	ZX1332500051	COPERCHIO TERMINALE	
2	ZX1332600031	PANNELLO FRONTALE		17	* 68761R0001	CONTROLLATORE	
3	ZX132000023	PALE VENTILATORE		17	* 68761R0001	CONTROLLATORE	
4	ZX1332600051	PANNELLO SINISTRO		17	ZX117020125	CONTROLLATORE	
5	ZX112000031	MOTORE VENTOLA		18	ZX113712007	SCATOLA CONTROLLO IMPERMEABILE	
6	ZX117230002	REATTORE		19	ZX108010018	SCATOLA DI CABLAGGIO	
7	ZX117110004	SENSORE TEMPERATURA TUBO		20	ZX1332600021	PANNELLO INDIETRO	
8	ZX117110020	SENSORE TEMPERATURA AMBIENTE		21	ZX102040501	INTERCAMBIATORE IN TITANIO	
9	ZX1332600011	COPERCHIO SUPERIORE		22	ZX108010025	CLIP ATTACCO	
10	ZX136010024	TUBO DI SCARICO		23	ZX117110012	SENSORE TEMPERATURA INGRESSO ACQ	
11	ZX136010023	UGELLO DELL'ACQUA		24	* ZX102040555	INTERCAMBIATORE IN TITANIO	
12	ZX101000150	COMPRESSORE		24	* ZX102040590	INTERCAMBIATORE IN TITANIO	
13	ZX142000076	CINTURA DI RISCALDAMENTO COMPRESSE		25	ZX117110011	SENSORE TEMPERATURA USCITA ACQUA	

**\* SI FACCIA RIFERIMENTO AL FOGLIO DELLE OSSERVAZIONI**

CODICE **68763, 68764**

DESCRIZIONE: **PRO ELYO INVERBOOST**

14	ZX1332600041	PANNELLO DESTRO	26	ZX112100021-1	FLUSSOSTATO
15	66108R0016	MANOMETRO	27	ZX117110021	SENSORE TEMPERATURA SCARICO
28	ZX121000009	VALVOLA A 4 VIE	33	ZX117040012	FILO DI COLLEGAMENTO 10M
29	ZX133020026	O-RING	34	ZX113300206	COPERTA DI INVERNO
30	ZX113900082	SET CONNESSIONE DELL'ACQUA	35	ZX117100015	SCHEDA BASE PCB
31	ZX113030093	VALVOLA A 4 VIE TUBO INTERCAMBIATORI	36	ZX117240002	ANELLO MAGNETICO
32	ZX113060096	VALVOLA A 4 VIE TUBO COLLETTIVO	37	ZX117240003	ANELLO MAGNETICO

CODICE           **68763, 68764**

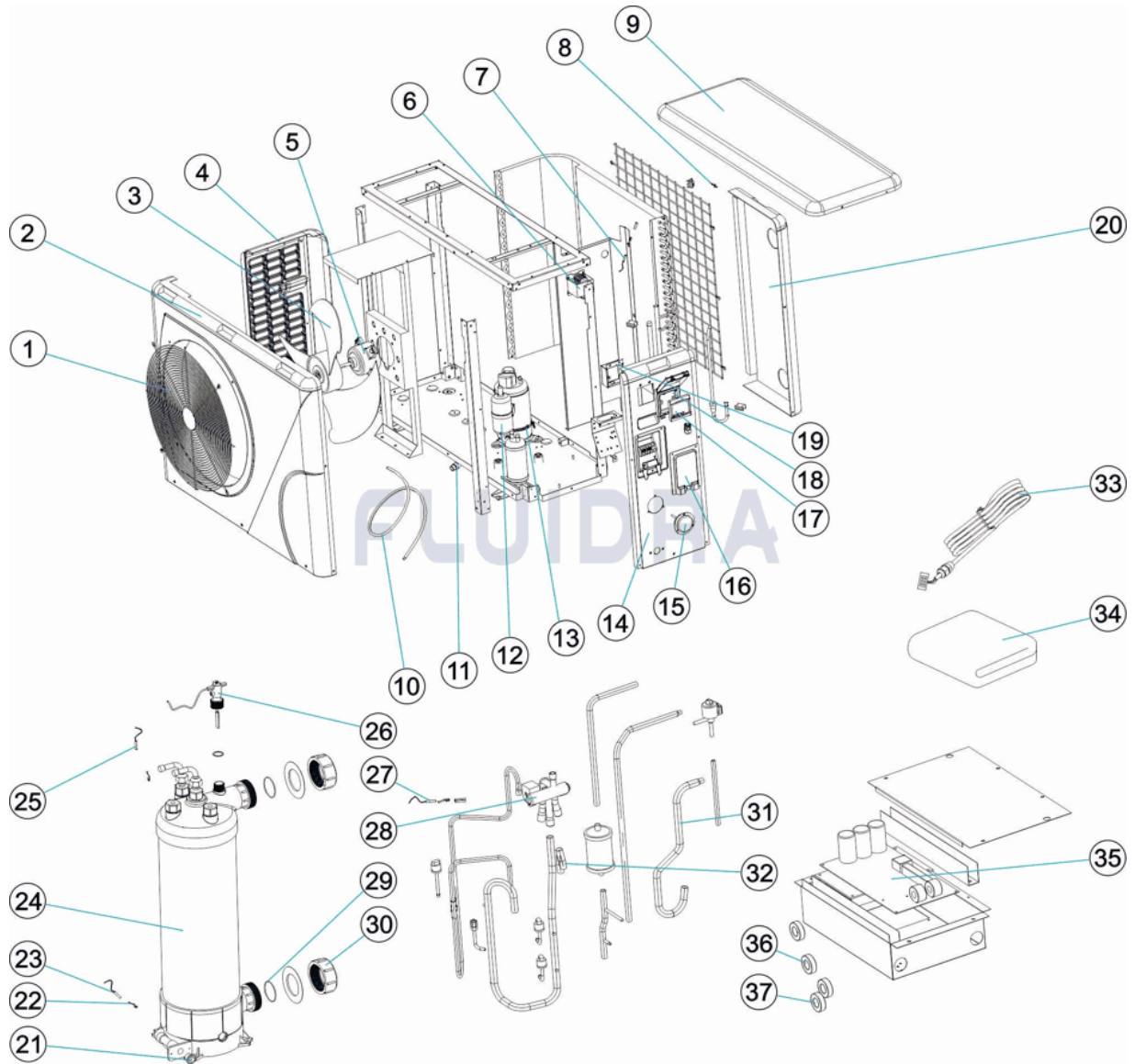
DESCRIZIONE: **PRO ELYO INVERBOOST**

## OSSERVAZIONI

POS	CODICE	OSSERVAZIONI
17	* 68761R0001	PER: 68763 N° SERIE 0170ID42H317071001 HASTA 0170ID42H317071010 / SERIAL N° 0170ID42H317071001 UNTIL 0170ID42H317071010
17	* 68761R0001	PER: 68764 N° SERIE 0210ID42H116071001 HASTA 0210ID42H116071022 Y 0210ID42H317071001 HASTA 0210ID42H317071008 / SERIAL N° 0210ID42H116071001 UNTIL 0210ID42H116071022 AND 0210ID42H317071001 UNTIL 0210ID42H317071008
24	* ZX102040555	PER: 68763
24	* ZX102040590	PER: 68764

CODE **68763, 68764**

BESCHREIBUNG: **PRO ELYO INVERBOOST**



**DEUTSCH**

POS	CODE	BESCHREIBUNG	MENGE	POS	CODE	BESCHREIBUNG	MENGE
1	ZX108170017	FRONTGITTER		16	ZX1332500051	ANSCHLUSSABDECKUNG	
2	ZX1332600031	FRONTPLATTE		17	* 68761R0001	STEUERUNG	
3	ZX132000023	ROTORBLÄTTER VENTILATOR		17	* 68761R0001	STEUERUNG	
4	ZX1332600051	LINKENPLATTE		17	ZX117020125	STEUERUNG	
5	ZX112000031	LÜFTERMOTOR		18	ZX113712007	WASSERDICHTER STEUERUNGSBOX	
6	ZX117230002	REAKTOR		19	ZX108010018	WIRING BOX	
7	ZX117110004	ROHR TEMPERATURFÜHLER		20	ZX1332600021	FÜHRERHAUSRÜCKWAND	
8	ZX117110020	UMGEBUNGS TEMPERATURFÜHLER		21	ZX102040501	WÄRMEÜBERTRAGER TITANIUM	
9	ZX1332600011	ABDECKUNG OBEN		22	ZX108010025	HALTECLIP	
10	ZX136010024	ABFLUSSSCHLAUCH		23	ZX117110012	WASSERZUFLUSS TEMPERATURFÜHLER	
11	ZX136010023	WASSERDÜSE		24	* ZX102040555	WÄRMEÜBERTRAGER TITANIUM	
12	ZX101000150	KOMPRESSOR		24	* ZX102040590	WÄRMEÜBERTRAGER TITANIUM	
13	ZX142000076	KOMPRESSOR HEIZBAND		25	ZX117110011	WASSERABFLUSS TEMPERATURFÜHLER	

\* SIEHE ANMERKUNGSBLATT

CODE **68763, 68764**

BESCHREIBUNG: **PRO ELYO INVERBOOST**

14	ZX1332600041	RECHTENPLATTE	26	ZX112100021-1	DURCHFLUSSMESSER
15	66108R0016	MANOMETER	27	ZX117110021	AUSPUFF TEMPERATURFÜHLER
28	ZX121000009	4-WEGE-VENTIL	33	ZX117040012	10M VERBINDUNGSDRAHT
29	ZX133020026	O-RING	34	ZX113300206	WINTERDECKEL
30	ZX113900082	WASSERANSCHLUSS SET	35	ZX117100015	BASISPLATTE PCB
31	ZX113030093	4-WEGE-VENTIL WÄRMEÜBERTRAGE ROH	36	ZX117240002	MAGNET-RING
32	ZX113060096	4-WEGE-VENTIL SAMMLUNG ROHR	37	ZX117240003	MAGNET-RING

CODE **68763, 68764**

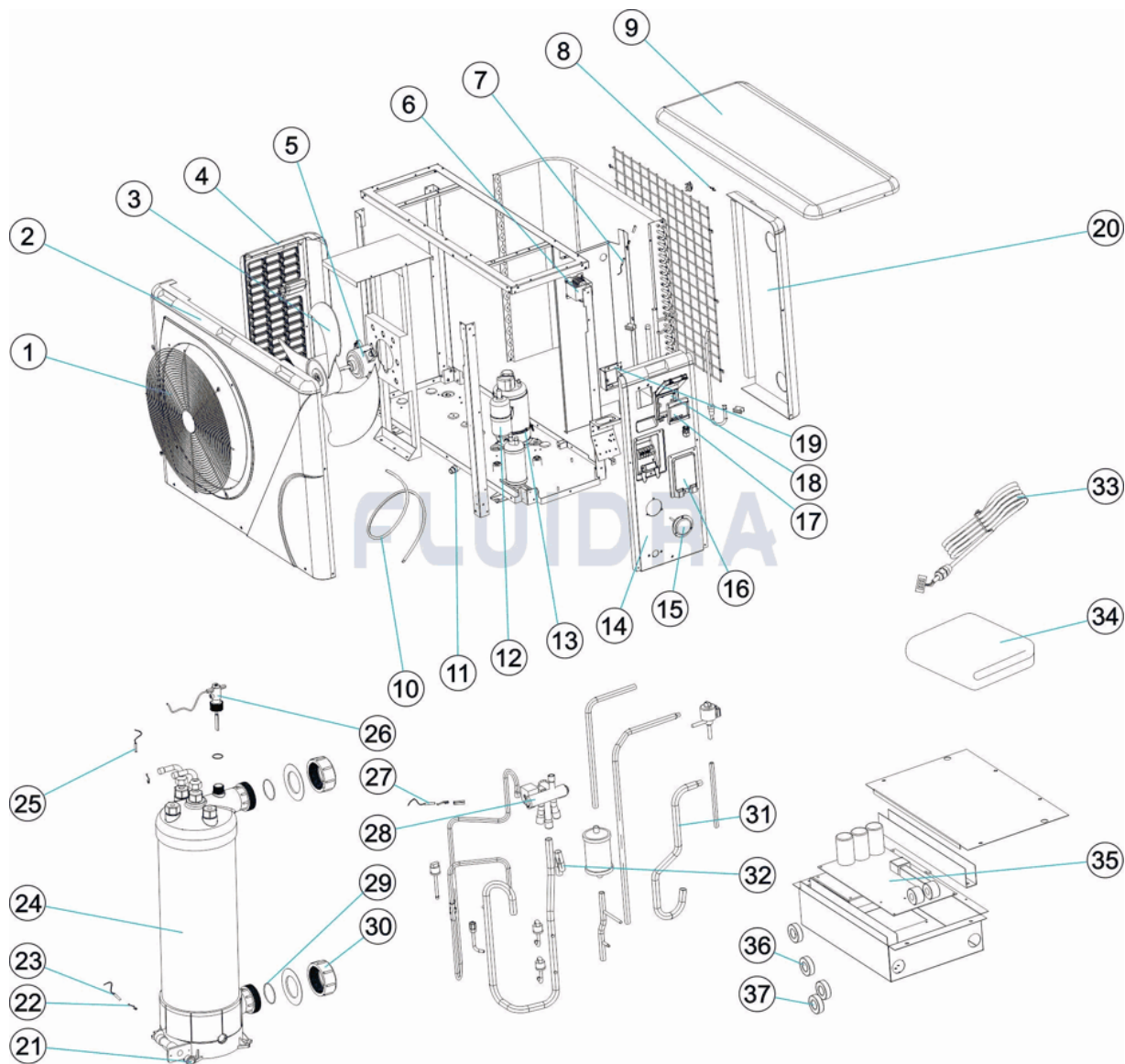
BESCHREIBUNG: **PRO ELYO INVERBOOST**

**HINWEISE**

POS	CODE	HINWEISE
17	* 68761R0001	FÜR: 68763 N° SERIE 0170ID42H317071001 HASTA 0170ID42H317071010 / SERIAL N° 0170ID42H317071001 UNTIL 0170ID42H317071010
17	* 68761R0001	FÜR: 68764 N° SERIE 0210ID42H116071001 HASTA 0210ID42H116071022 Y 0210ID42H317071001 HASTA 0210ID42H317071008 / SERIAL N° 0210ID42H116071001 UNTIL 0210ID42H116071022 AND 0210ID42H317071001 UNTIL 0210ID42H317071008
24	* ZX102040555	FÜR: 68763
24	* ZX102040590	FÜR: 68764

CODIGO **68763, 68764**

DESCRIÇÃO: **PRO ELYO INVERBOOST**



**PORTUGUES**

POS	CODIGO	DESCRIÇÃO	JANTIDADE	POS	CODIGO	DESCRIÇÃO	JANTIDADE
1	ZX108170017	GRELHA FRONTAL		16	ZX1332500051	COBERTURA TERMINAL	
2	ZX1332600031	PAINEL FRONTAL		17	* 68761R0001	CONTROLADOR	
3	ZX132000023	PÁS VENTILADOR		17	* 68761R0001	CONTROLADOR	
4	ZX1332600051	PAINEL ESQUERDO		17	ZX117020125	CONTROLADOR	
5	ZX112000031	MOTOR VENTILADOR		18	ZX113712007	CAIXA DE CONTROLE IMPERMEÁVEL	
6	ZX117230002	REACTOR		19	ZX108010018	CAIXA DE LIGAÇÕES	
7	ZX117110004	SENSOR TEMPERATURA TUBO		20	ZX1332600021	PAINEL TRASEIRO	
8	ZX117110020	SENSOR TEMPERATURA AMBIENTE		21	ZX102040501	PERMUTADOR DE TITÂNIO	
9	ZX1332600011	TAMPA SUPERIOR		22	ZX108010025	CLIQUE FIXAÇÃO	
10	ZX136010024	MANGUEIRA DE DRENAGEM		23	ZX117110012	SENSOR TEMPERATURA ENTRADA ÁGUA	
11	ZX136010023	BOCAL DE ÁGUA		24	* ZX102040555	PERMUTADOR DE TITÂNIO	
12	ZX101000150	COMPRESSOR		24	* ZX102040590	PERMUTADOR DE TITÂNIO	
13	ZX142000076	CORREIA DE AQUECIMENTO COMPRESSC		25	ZX117110011	SENSOR TEMPERATURA SAÍDA ÁGUA	

**\* VEJA A FICHA DE OBSERVAÇÕES**



CODIGO **68763, 68764**

DESCRIÇÃO: **PRO ELYO INVERBOOST**

14	ZX1332600041	PAINEL DIREITO	26	ZX112100021-1	FLUXO-ESTATO
15	66108R0016	MANOMETRO	27	ZX117110021	SENSOR TEMPERATURA ESCAPE
28	ZX121000009	VÁLVULA DE 4 VIAS	33	ZX117040012	FIO DE CONEXÃO 10M
29	ZX133020026	JUNTA TÓRICA	34	ZX113300206	COBERTURA DE INVERNO
30	ZX113900082	CONJECTIVOS CONEXÃO DE ÁGUA	35	ZX117100015	PLACA BASE PCB
31	ZX113030093	VÁLVULA DE 4 VIAS TUBO PERMUTADOR	36	ZX117240002	ANEL DE ÍNDIA
32	ZX113060096	VÁLVULA DE 4 VIAS TUBO COLETIVO	37	ZX117240003	ANEL DE ÍNDIA

CODIGO **68763, 68764**

DESCRIÇÃO: **PRO ELYO INVERBOOST**

## OBSERVACÕES

POS	CODIGO	OBSERVACÕES
17	* 68761R0001	PARA: 68763 N° SERIE 0170ID42H317071001 HASTA 0170ID42H317071010 / SERIAL N° 0170ID42H317071001 UNTIL 0170ID42H317071010
17	* 68761R0001	PARA: 68764 N° SERIE 0210ID42H116071001 HASTA 0210ID42H116071022 Y 0210ID42H317071001 HASTA 0210ID42H317071008 / SERIAL N° 0210ID42H116071001 UNTIL 0210ID42H116071022 AND 0210ID42H317071001 UNTIL 0210ID42H317071008
24	* ZX102040555	PARA: 68763
24	* ZX102040590	PARA: 68764