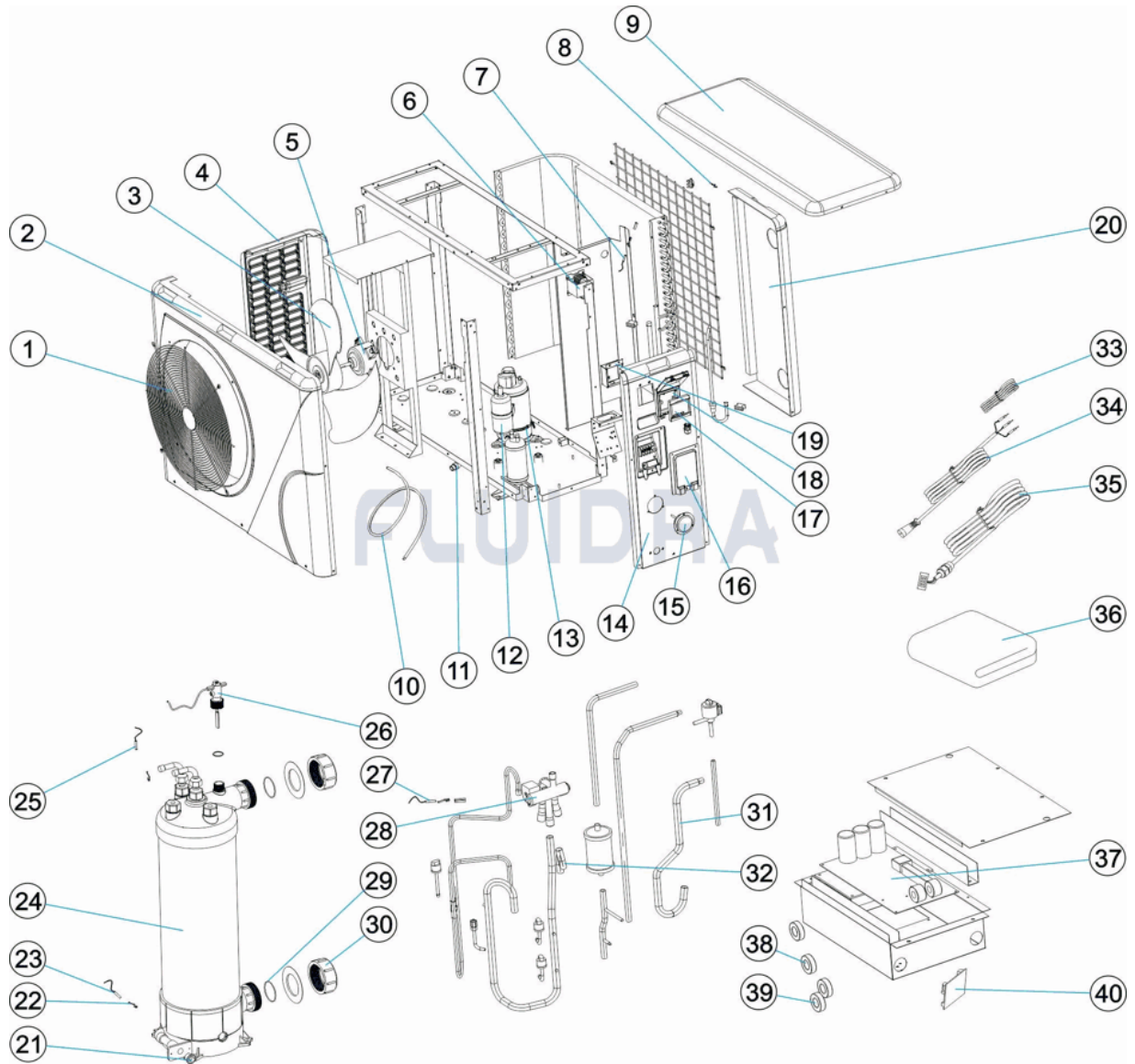


CODIGO **68774**

DESCRIPCION: **ELYO SMART NN**



**ESPAÑOL**

POS	CODIGO	DESCRIPCION	CANTIDAD	POS	CODIGO	DESCRIPCION	CANTIDAD
1	ZX1081700171	REJILLA FRONTAL		16	ZX133250005	CUBIERTA TERMINALES	
2	ZX133260003	PANEL FRONTAL		17	ZX117020150	CONTROLADOR	
3	ZX132000023	ASPAS VENTILADOR		18	ZX113712007	CAJA CONTROLADOR IMPERMEABLE	
4	ZX133260005	PANEL IZQUIERDO		19	ZX108010018	CAJA DE CABLEADO	
5	ZX112000031	MOTOR VENTILADOR		20	ZX133260002	PANEL TRASERO	
6	ZX117230002	REACTOR		21	ZX150000110	TAPON PURGA	
7	ZX117110004	SENSOR TEMPERATURA TUBO		22	ZX108010025	CLIP SUJECION	
8	ZX117110020	SENSOR TEMPERATURA AMBIENTE		23	ZX117110012	SENSOR TEMPERATURA ENTRADA AGUA	
9	ZX133260001	TAPA SUPERIOR		24	ZX102040555	INTERCAMBIADOR DE TITANIO	
10	ZX136010024	MANGUERA DE DRENAJE		25	ZX117110011	SENSOR TEMPERATURA SALIDA AGUA	
11	ZX136010023	BOQUILLA DE AGUA		26	ZX112100021-1	FLUJOSTATO	
12	ZX101000150	COMPRESOR		27	ZX117110021	SENSOR TEMPERATURA ESCAPE	
13	ZX142000076	ABRAZADERA TERMOSTATO COMPRESOF		28	ZX121000009	VALVULA DE 4 VIAS	

CODIGO **68774**

DESCRIPCION: **ELYO SMART NN**

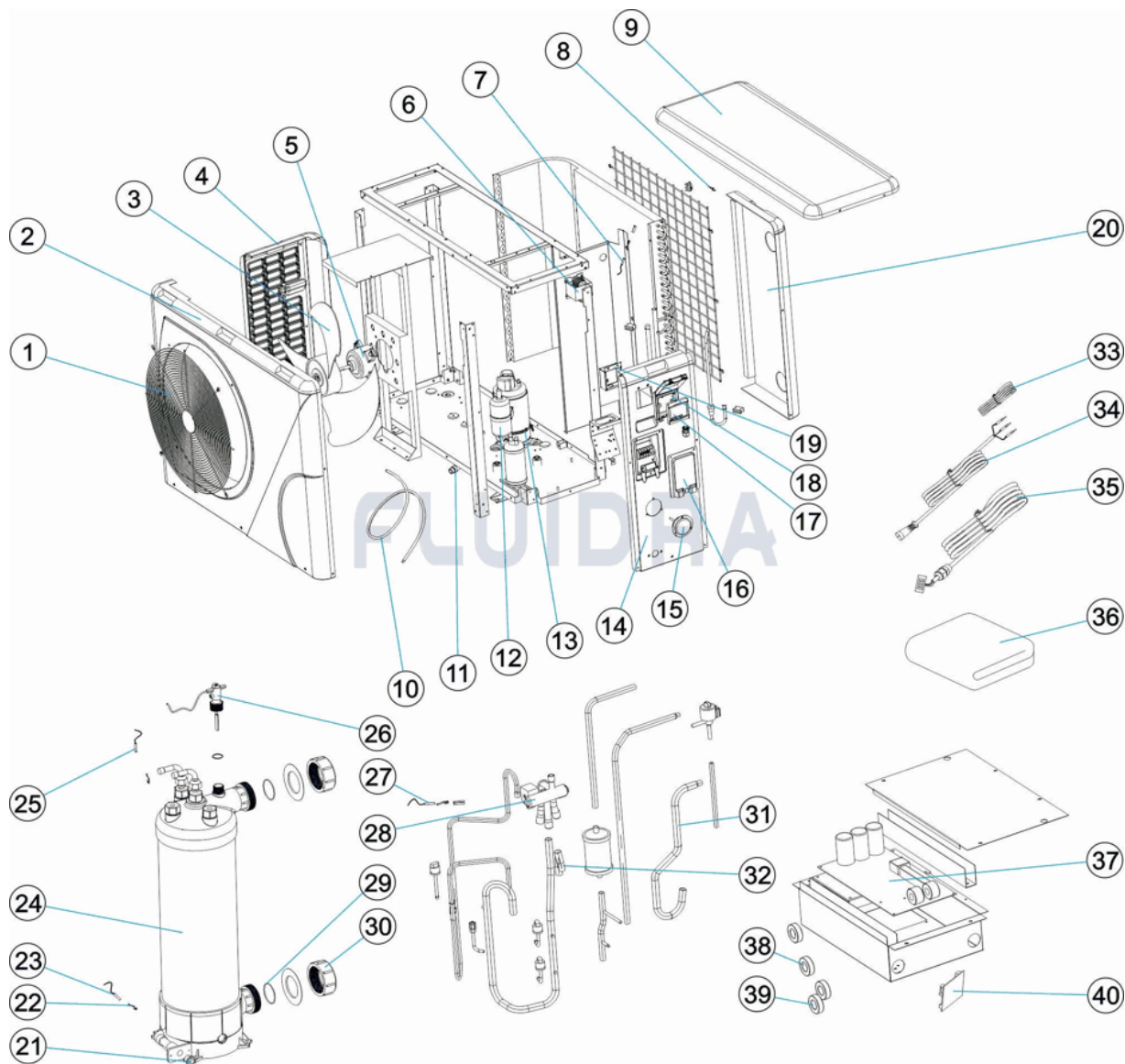
14	ZX133260004	PANEL DERECHO	29	ZX133020026	JUNTA TORICA
15	66108R0016	MANOMETRO	30	ZX113900082	KIT DE CONEXIÓN AGUA
31	ZX113030093	VALVULA DE 4 VIAS TUBO INTERCAMBIAD	36	ZX113300206	CUBIERTA DE INVIERNO
32	ZX113060096	VALVULA DE 4 VIAS TUBO COLECTIVO	37	ZX117100015	PLACA BASE PCB
33	ZX117040019	0,8M CABLE CONEXIÓN	38	ZX117240002	ANILLO MAGNETICO
34	* ZX117040014	1M CABLE MODBUS	39	ZX117240003	ANILLO MAGNETICO
34	* ZX117040015	10M CABLE MODBUS	40	ZX117010095	MÓDULO MODBUS
35	ZX117040012	CABLE DE CONEXIÓN 10M			

CODIGO **68774**DESCRIPCION: **ELYO SMART NN****OBSERVACIONES**

POS	CODIGO	OBSERVACIONES
34	* ZX117040014	PARA: 1 METRO / 1 METER
34	* ZX117040015	PARA: 10 METROS / 10 METERS

CODE 68774

DESCRIPTION: ELYO SMART NN



FRANCAIS

POS	CODE	DESCRIPTION	QUANTITE	POS	CODE	DESCRIPTION	QUANTITE
1	ZX1081700171	GRILLE FRONTALE		16	ZX133250005	COUVERCLE TERMINAL	
2	ZX133260003	PANNEAU AVANT		17	ZX117020150	CONTRÔLEUR	
3	ZX132000023	PALES VENTILATEUR		18	ZX113712007	BOÎTIER CONTRÔLEUR ÉTANCHE	
4	ZX133260005	PANNEAU GAUCHE		19	ZX108010018	BOÎTE DE CÂBLAGE	
5	ZX112000031	MOTEUR VENTILATEUR		20	ZX133260002	PANNEAU ARRIÈRE	
6	ZX117230002	RÉACTEUR		21	ZX150000110	BOUCHON PURGE	
7	ZX117110004	CAPTEUR TEMPÉRATURE TUYAU		22	ZX108010025	CLIP FIXATION	
8	ZX117110020	CAPTEUR TEMPÉRATURE AMBIANT		23	ZX117110012	CAPTEUR TEMPÉRATURE ARRIVÉE D'EAU	
9	ZX133260001	COUVERCLE SUPÉRIEUR		24	ZX102040555	ÉCHANGEUR EN TITANE	
10	ZX136010024	TUYAU DE DRAINAGE		25	ZX117110011	CAPTEUR TEMPÉRATURE EAU SORTIE	
11	ZX136010023	BUSE D'EAU		26	ZX112100021-1	CONTROLEUR DE DEBIT	
12	ZX101000150	COMPRESSEUR		27	ZX117110021	CAPTEUR TEMPÉRATURE EAU SORTIE	
13	ZX142000076	COLLIER CHAUFFANTS COMPRESSEUR		28	ZX121000009	VANNE 4 VOIES	

\* VOIR FICHE D'OBSERVATIONS

CODE **68774**

DESCRIPTION: **ELYO SMART NN**

14	ZX133260004	PANNEAU DROIT	29	ZX133020026	JOINT TORIQUE
15	66108R0016	MANOMETRE	30	ZX113900082	ENSEMBLES CONNEXION D'EAU
31	ZX113030093	VANNE 4 VOIES TUBE ÉCHANGEUR	36	ZX113300206	COUVERTURE D"HIVERNAGE
32	ZX113060096	VANNE 4 VOIES TUBE COLLECTIF	37	ZX117100015	PLAQUE BASE PCB
33	ZX117040019	0,8M CABLE BRANCHEMENT	38	ZX117240002	BAGUE D'AIMANT
34	* ZX117040014	1M CABLE MODBUS	39	ZX117240003	BAGUE D'AIMANT
34	* ZX117040015	10M CABLE MODBUS	40	ZX117010095	MODULE MODBUS
35	ZX117040012	FIL DE CONNEXION 10M			

CODE **68774**

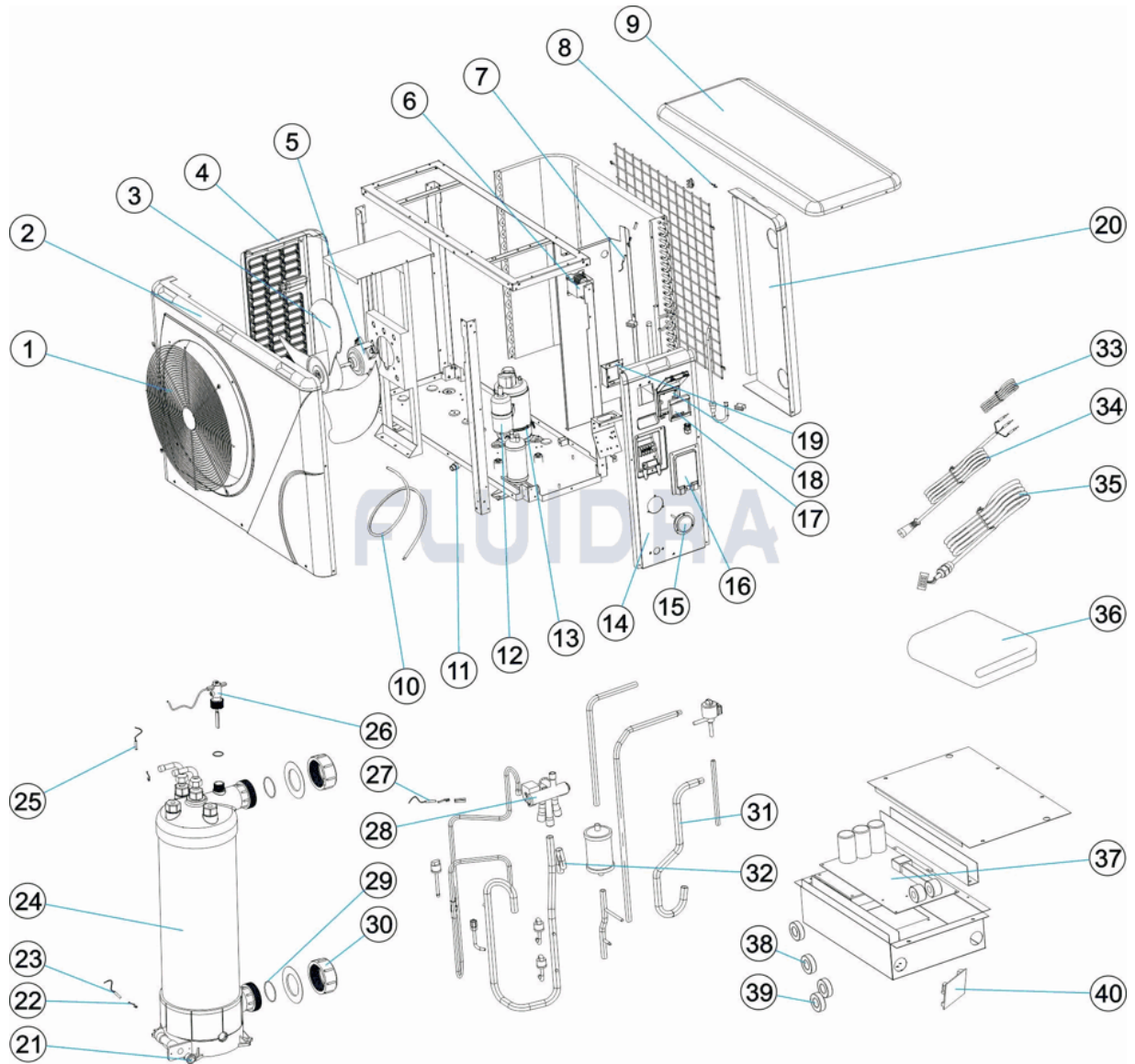
DESCRIPTION: **ELYO SMART NN**

**OBSERVATIONS**

POS	CODE	OBSERVATIONS
34	* ZX117040014	POUR: 1 METRO / 1 METER
34	* ZX117040015	POUR: 10 METROS / 10 METERS

CODE **68774**

DESCRIPTION: **ELYO SMART NN**



**ENGLISH**

POS	CODE	DESCRIPTION	QUANTITY	POS	CODE	DESCRIPTION	QUANTITY
1	ZX1081700171	FRONT GRILL		16	ZX133250005	TERMINAL BLOCKS PLASTIC COVER	
2	ZX133260003	FRONT PANEL		17	ZX117020150	CONTROLLER	
3	ZX132000023	FAN BLADE		18	ZX113712007	WATERPROOF CONTROLLER BOX	
4	ZX133260005	LEFT SIDE PANEL		19	ZX108010018	WIRING BOX	
5	ZX112000031	FAN MOTOR		20	ZX133260002	BACK PANEL	
6	ZX117230002	REACTOR		21	ZX150000110	DRAIN PLUG	
7	ZX117110004	HEATING PIPE TEMPERATURE SENSOR		22	ZX108010025	CLIP	
8	ZX117110020	AMBIENT TEMPERATURE SENSOR		23	ZX117110012	WATER INLET TEMPERATURE SENSOR	
9	ZX133260001	TOP COVER		24	ZX102040555	TITANIUM HEAT EXCHANGER	
10	ZX136010024	DRAIN HOSE		25	ZX117110011	HEATING PIPE TEMPERATURE SENSOR	
11	ZX136010023	WATER NOZZLE		26	ZX112100021-1	WATER FLOW SWITCH	
12	ZX101000150	COMPRESSOR		27	ZX117110021	EXHAUST TEMPERATURE SENSOR	
13	ZX142000076	COMPRESSOR HEATING BELT		28	ZX121000009	4-WAY VALVE	

**\* SEE OBSERVATIONS SHEET**

CODE **68774**

DESCRIPTION: **ELYO SMART NN**

14	ZX133260004	RIGHT SIDE PANEL	29	ZX133020026	O' RING
15	66108R0016	PRESSURE GAUGE	30	ZX113900082	WATER CONNECTION SETS
31	ZX113030093	4-WAY VALVE HEAT EXCHANGER TUBE	36	ZX113300206	WINTER COVER
32	ZX113060096	4-WAY VALVE HEAT COLLECTIVE TUBE	37	ZX117100015	PC BOARD
33	ZX117040019	0,8M CONNEXION CABLE	38	ZX117240002	MAGNET RING
34	* ZX117040014	1M MODBUS CABLE	39	ZX117240003	MAGNET RING
34	* ZX117040015	10M MODBUS CABLE	40	ZX117010095	MODBUS MODULE
35	ZX117040012	10M CONNECTION WIRE BETWEEN THE			

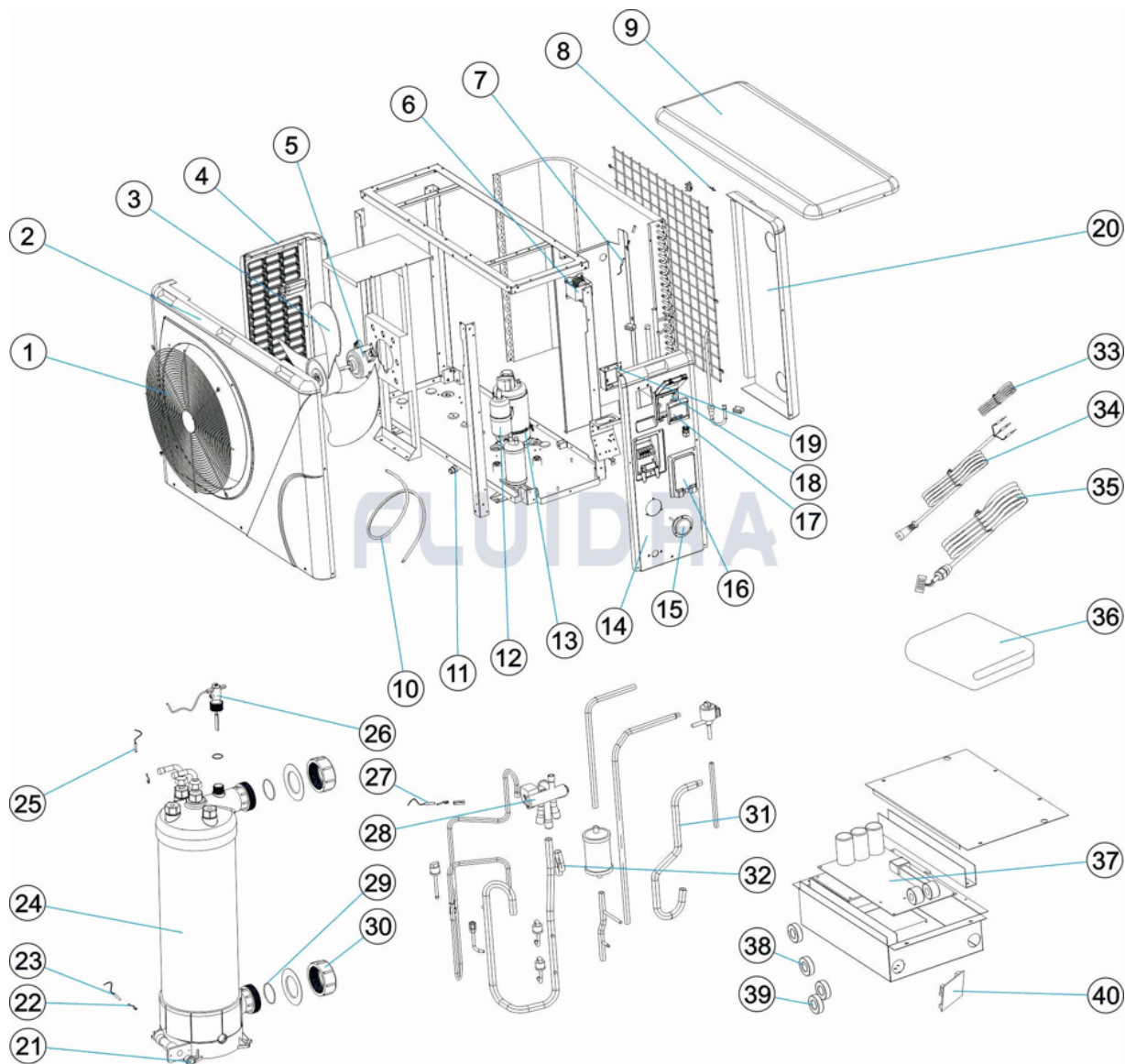


CODE **68774**DESCRIPTION: **ELYO SMART NN****OBSERVATIONS**

POS	CODE	OBSERVATIONS
34	* ZX117040014	FOR: 1 METRO / 1 METER
34	* ZX117040015	FOR: 10 METROS / 10 METERS

CODICE **68774**

DESCRIZIONE: **ELYO SMART NN**



**ITALIANO**

POS	CODICE	DESCRIZIONE	QUANTITA'	POS	CODICE	DESCRIZIONE	QUANTITA'
1	ZX1081700171	GRIGLIA FRONTALE		16	ZX133250005	COPERCHIO TERMINALE	
2	ZX133260003	PANNELLO FRONTALE		17	ZX117020150	CONTROLLATORE	
3	ZX132000023	PALE VENTILATORE		18	ZX113712007	SCATOLA CONTROLLO IMPERMEABILE	
4	ZX133260005	PANNELLO SINISTRO		19	ZX108010018	SCATOLA DI CABLAGGIO	
5	ZX112000031	MOTORE VENTOLA		20	ZX133260002	PANNELLO INDIETRO	
6	ZX117230002	REATTORE		21	ZX150000110	TAPPO SPURGO	
7	ZX117110004	SENSORE TEMPERATURA TUBO		22	ZX108010025	CLIP ATTACCO	
8	ZX117110020	SENSORE TEMPERATURA AMBIENTE		23	ZX117110012	SENSORE TEMPERATURA INGRESSO ACQ	
9	ZX133260001	COPERCHIO SUPERIORE		24	ZX102040555	INTERCAMBIATORE IN TITANIO	
10	ZX136010024	TUBO DI SCARICO		25	ZX117110011	SENSORE TEMPERATURA USCITA ACQUA	
11	ZX136010023	UGELLO DELL'ACQUA		26	ZX112100021-1	FLUSSOSTATO	
12	ZX101000150	COMPRESSORE		27	ZX117110021	SENSORE TEMPERATURA SCARICO	
13	ZX142000076	CINTURA DI RISCALDAMENTO COMPRESSE		28	ZX121000009	VALVOLA A 4 VIE	

**\* SI FACCIA RIFERIMENTO AL FOGLIO DELLE OSSERVAZIONI**

CODICE **68774**

DESCRIZIONE: **ELYO SMART NN**

14	ZX133260004	PANNELLO DESTRO	29	ZX133020026	O-RING
15	66108R0016	MANOMETRO	30	ZX113900082	SET CONNESSIONE DELL'ACQUA
31	ZX113030093	VALVOLA A 4 VIE TUBO INTERCAMBIATORI	36	ZX113300206	COPERTA DI INVERNO
32	ZX113060096	VALVOLA A 4 VIE TUBO COLLETTIVO	37	ZX117100015	SCHEDA BASE PCB
33	ZX117040019	0,8M CAVO COLLEGAMENTO	38	ZX117240002	ANELLO MAGNETICO
34	* ZX117040014	1M CAVO MODBUS	39	ZX117240003	ANELLO MAGNETICO
34	* ZX117040015	10M CAVO MODBUS	40	ZX117010095	MODULO MODBUS
35	ZX117040012	FILO DI COLLEGAMENTO 10M			

**CODICE                    68774**

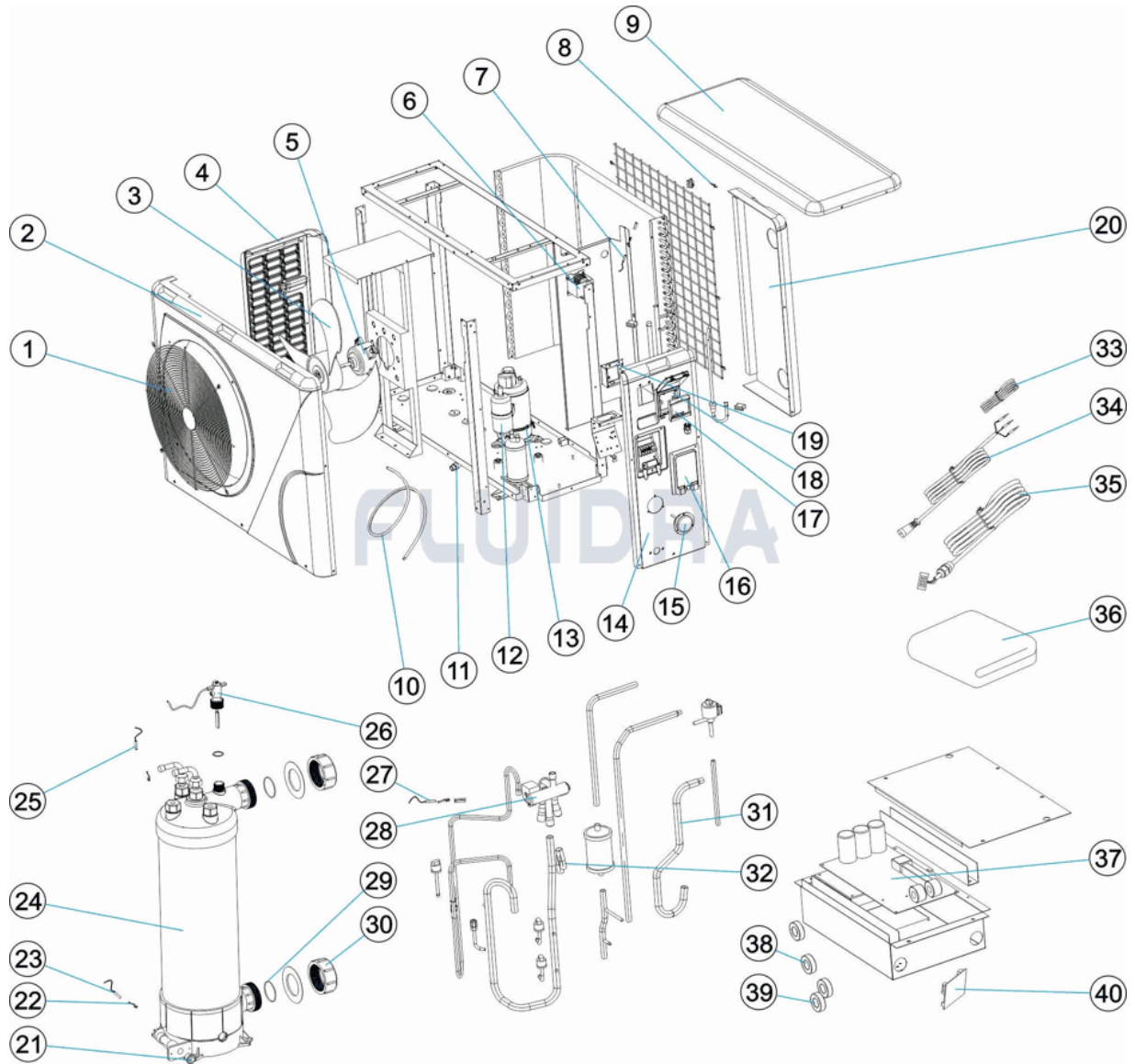
**DESCRIZIONE: ELYO SMART NN**

**OSSERVAZIONI**

POS	CODICE	OSSERVAZIONI
34	* ZX117040014	PER: 1 METRO / 1 METER
34	* ZX117040015	PER: 10 METROS / 10 METERS

CODE **68774**

BESCHREIBUNG: **ELYO SMART NN**



**DEUTSCH**

POS	CODE	BESCHREIBUNG	MENGE	POS	CODE	BESCHREIBUNG	MENGE
1	ZX1081700171	FRONTGITTER		16	ZX133250005	ANSCHLUSSABDECKUNG	
2	ZX133260003	FRONTPLATTE		17	ZX117020150	STEUERUNG	
3	ZX132000023	ROTORBLÄTTER VENTILATOR		18	ZX113712007	WASSERDICHTER STEUERUNGSBOX	
4	ZX133260005	LINKENPLATTE		19	ZX108010018	WIRING BOX	
5	ZX112000031	LÜFTERMOTOR		20	ZX133260002	FÜHRERHAUSRÜCKWAND	
6	ZX117230002	REAKTOR		21	ZX150000110	ABLASSTOPFEN	
7	ZX117110004	ROHR TEMPERATURFÜHLER		22	ZX108010025	HALTECLIP	
8	ZX117110020	UMGEBUNGS TEMPERATURFÜHLER		23	ZX117110012	WASSERZUFLOSS TEMPERATURFÜHLER	
9	ZX133260001	ABDECKUNG OBEN		24	ZX102040555	WÄRMEÜBERTRAGER TITANIUM	
10	ZX136010024	ABFLUSSSCHLAUCH		25	ZX117110011	WASSERABFLUSS TEMPERATURFÜHLER	
11	ZX136010023	WASSERDÜSE		26	ZX112100021-1	DURCHFLUSSMESSER	
12	ZX101000150	KOMPRESSOR		27	ZX117110021	AUSPUFF TEMPERATURFÜHLER	
13	ZX142000076	KOMPRESSOR HEIZBAND		28	ZX121000009	4-WEGE-VENTIL	

CODE                    **68774**

BESCHREIBUNG: **ELYO SMART NN**

14	ZX133260004	RECHTENPLATTE	29	ZX133020026	O-RING
15	66108R0016	MANOMETER	30	ZX113900082	WASSERANSCHLUSS SET
31	ZX113030093	4-WEGE-VENTIL WÄRMEÜBERTRAGE ROF	36	ZX113300206	WINTERDECKEL
32	ZX113060096	4-WEGE-VENTIL SAMMLUNG ROHR	37	ZX117100015	BASISPLATTE PCB
33	ZX117040019	0,8M ANSCHLUSSKABEL	38	ZX117240002	MAGNET-RING
34	* ZX117040014	1M MODBUS-KABEL	39	ZX117240003	MAGNET-RING
34	* ZX117040015	10M MODBUS-KABEL	40	ZX117010095	MODBUS-MODUL
35	ZX117040012	10M VERBINDUNGSDRAHT			

CODE **68774**

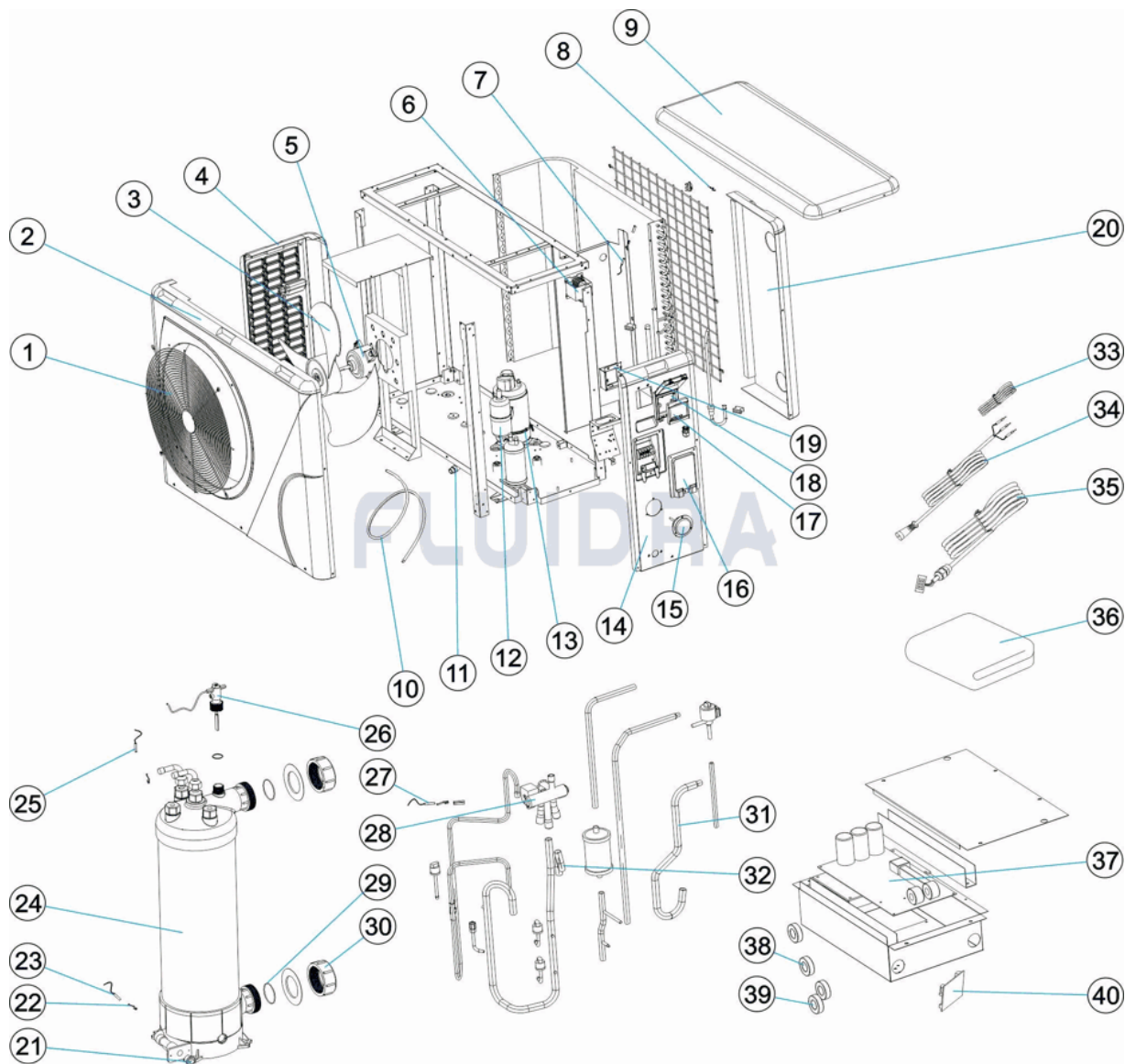
BESCHREIBUNG: **ELYO SMART NN**

**HINWEISE**

POS	CODE	HINWEISE
34	* ZX117040014	FÜR: 1 METRO / 1 METER
34	* ZX117040015	FÜR: 10 METROS / 10 METERS

CODIGO **68774**

DESCRIÇÃO: **ELYO SMART NN**



**PORTUGUES**

POS	CODIGO	DESCRIÇÃO	JANTIDADE	POS	CODIGO	DESCRIÇÃO	JANTIDADE
1	ZX1081700171	GRELHA FRONTAL		16	ZX133250005	COBERTURA TERMINAL	
2	ZX133260003	PAINEL FRONTAL		17	ZX117020150	CONTROLADOR	
3	ZX132000023	PÁS VENTILADOR		18	ZX113712007	CAIXA DE CONTROLE IMPERMEÁVEL	
4	ZX133260005	PAINEL ESQUERDO		19	ZX108010018	CAIXA DE LIGAÇÕES	
5	ZX112000031	MOTOR VENTILADOR		20	ZX133260002	PAINEL TRASEIRO	
6	ZX117230002	REACTOR		21	ZX150000110	TAMPÃO PURGA	
7	ZX117110004	SENSOR TEMPERATURA TUBO		22	ZX108010025	CLIQUE FIXAÇÃO	
8	ZX117110020	SENSOR TEMPERATURA AMBIENTE		23	ZX117110012	SENSOR TEMPERATURA ENTRADA ÁGUA	
9	ZX133260001	TAMPA SUPERIOR		24	ZX102040555	PERMUTADOR DE TITÂNIO	
10	ZX136010024	MANGUEIRA DE DRENAGEM		25	ZX117110011	SENSOR TEMPERATURA SAÍDA ÁGUA	
11	ZX136010023	BOCAL DE ÁGUA		26	ZX112100021-1	FLUXO-ESTATO	
12	ZX101000150	COMPRESSOR		27	ZX117110021	SENSOR TEMPERATURA ESCAPE	
13	ZX142000076	CORREIA DE AQUECIMENTO COMPRESSC		28	ZX121000009	VÁLVULA DE 4 VIAS	

**\* VEJA A FICHA DE OBSERVAÇÕES**



CODIGO **68774**

DESCRIÇÃO: **ELYO SMART NN**

14	ZX133260004	PAINEL DIREITO	29	ZX133020026	JUNTA TÓRICA
15	66108R0016	MANOMETRO	30	ZX113900082	CONJECTIVOS CONEXÃO DE ÁGUA
31	ZX113030093	VÁLVULA DE 4 VIAS TUBO PERMUTADOR	36	ZX113300206	COBERTURA DE INVERNO
32	ZX113060096	VÁLVULA DE 4 VIAS TUBO COLETIVO	37	ZX117100015	PLACA BASE PCB
33	ZX117040019	0,8M CABO LIGAÇÃO	38	ZX117240002	ANEL DE ÍNDIA
34	* ZX117040014	1M CABO MODBUS	39	ZX117240003	ANEL DE ÍNDIA
34	* ZX117040015	10M CABO MODBUS	40	ZX117010095	MÓDULO MODBUS
35	ZX117040012	FIO DE CONEXÃO 10M			

**CODIGO 68774**

**DESCRIÇÃO: ELYO SMART NN**

**OBSERVACÕES**

POS	CODIGO	OBSERVACÕES
34	* ZX117040014	PARA: 1 METRO / 1 METER
34	* ZX117040015	PARA: 10 METROS / 10 METERS